

SALCO

A technical drawing of a utility anchor, showing a vertical rod with a curved, hook-like end. The drawing is a perspective view, showing the rod and the anchor's profile. The anchor is attached to the rod with a small nut and washer.

UTILITY ANCHORS

1400 Red Hollow Road
Birmingham, AL, 35215
United States

Corporate Office: (205) 854-2098

Fax: (205) 854-2099

info@salcoinc.net

Mailing Address:

P.O. Box 94618, Birmingham, AL 35220

NO WRENCH ANCHORS



TEMPORARY AND LIGHT
DUTY GUYING APPLICATIONS

NO WRENCH ANCHORS



Catalog Number	Rod Dia. (in)	Length (in)	Helix Dia. (in)	Installation Torque Rating (ft-lbs)
NW755404	3/4	54	4	400
NW756606	3/4	66	6	400
NW1006608	1	66	8	1000
NW1256610	1-1/4	66	10	2300
NW1259610	1-1/4	96	10	2300
NW1259614	1-1/4	96	14	2300
NW1259615	1-1/4	96	15	2300

Anchor holding strength is soil dependent.

Finish: Hot Dip Galvanized per ASTM A123

Holding Capacity Chart for No Wrench Anchors

Catalog Number	Helix Dia. (in)	Rod Dia. (in)	Length (in)	Holding Capacity (lbs. vs Soil Class)		
				Class 5	Class 6	Class 7
NW755404	4	3/4	54	4,500	3,000	1,500
NW756606	6	3/4	66	6,500	5,000	2,500
NW1006608	8	1	66	11,000	9,000	6,000
NW1256610	10	1-1/4	66	13,000	10,000	7,000
NW1259610	10	1-1/4	96	13,000	10,000	7,000
NW1259614	14	1-1/4	96	16,000	15,000	12,000
NW1259615	15	1-1/4	96	19,000	17,000	14,000

Class	Common Soil-Type Description	Geological Soil Classification	Typical Blow Count "N" per ASTM-D1586
4	Medium dense sandy gravel; very stiff to hard silts and clays	Glacial fill; hardpan; marls	24-40
5	Medium dense coarse sand and sandy gravels; stiff to very stiff silts and clays	Saprolites, residual soils	14-25
6	Loose to medium dense fine to coarse sand; firm stiff clays and silts	Dense hydraulic fill; compacted fill; residual soils	7-14
7	Loose fine sand; Alluvium; loess; soft-firm clays; varied clays; fill	Flood plain soils; lake clays; adobe; gumbo, fill	4-8

ANCHOR EYE RODS



DESIGNED FOR USE WITH
EXPANDING BUSH AND CROSS
PLATE STYLE ANCHORS.

ANCHOR EYE RODS



Catalog Number	Diameter (in)	Thread	Length (in)	Ultimate Tensile Rating (lb)
AR075084	3/4	3/4-10 UNC	84	23,000
AR075096	3/4	3/4-10 UNC	96	23,000
AR075120	3/4	3/4-10 UNC	120	23,000
AR100096	1	1-8 UNC	96	36,000
AR100120	1	1-8 UNC	120	36,000
AR125096	1-1/4	1-1/4-7 UNC	96	58,000
AR125120	1-1/4	1-1/4-7 UNC	120	58,000

Anchor rod supplied with (1) square nut. Finish: Hot Dip Galvanized per ASTM A123

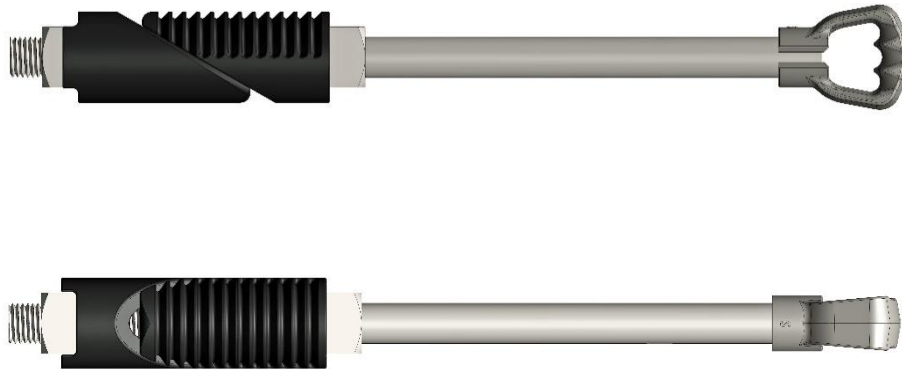
ANCHOR EYE ROD EXTENSIONS



Catalog Number	Diameter (in)	Length (in)	Ultimate Tensile Rating (lb)
AE75024	3/4	24	23,000
AE100024	1	24	36,000

Anchor extension supplied w/ connecting hardware. Finish: Hot Dip Galvanized per ASTM A123

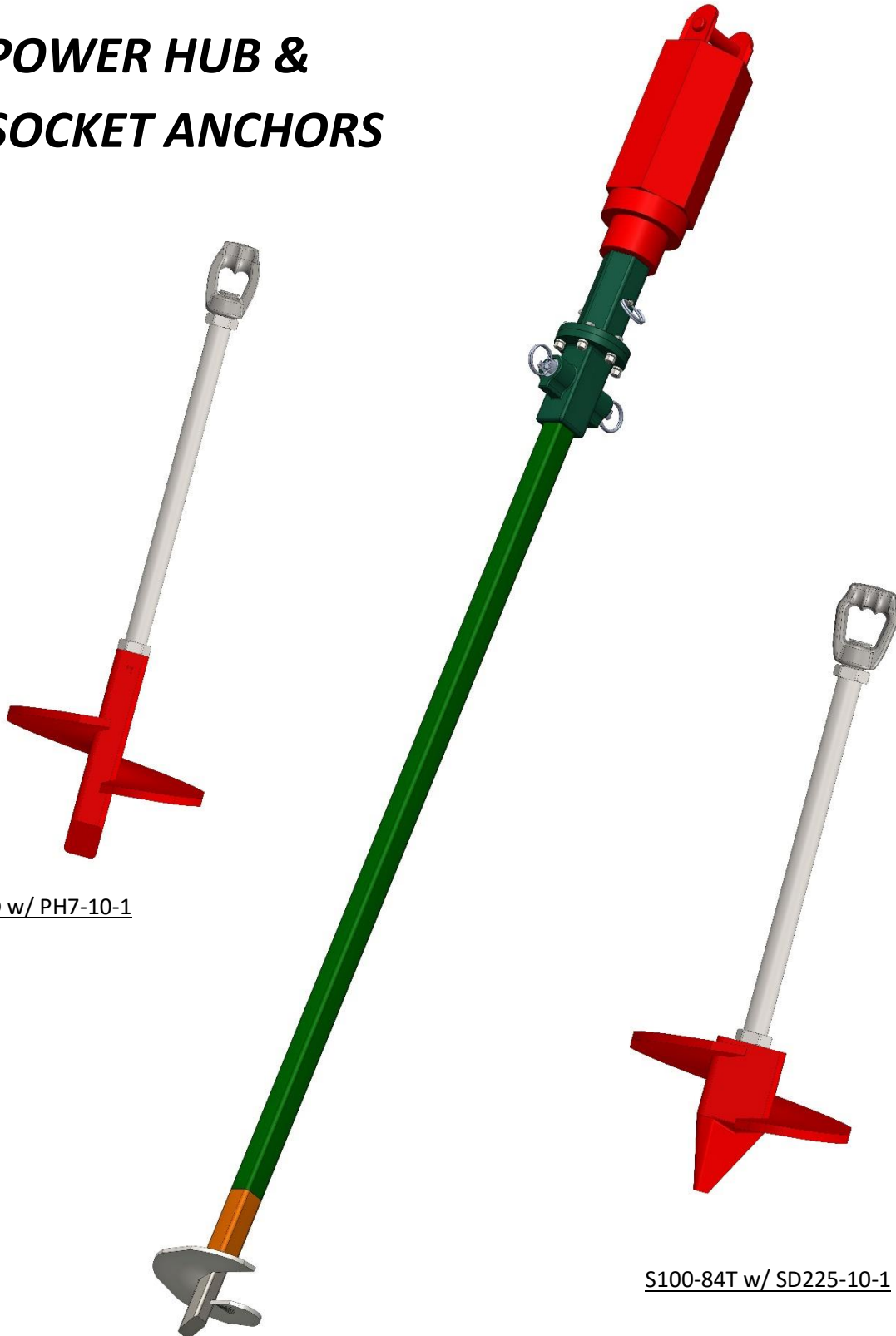
ROCK ANCHORS



Catalog Number	Diameter (in)	Length (in)	Ultimate Tensile Rating (lb)
RA100-30	1	30	23,000
RA100-53	1	53	23,000
RA100-72	1	72	23,000
RA100-96	1	96	23,000

Finish: hot dip galvanized per ASTM A123 (Wedges painted black)
Closed anchor: $\varnothing 2.25''$ Expanded anchor: $\varnothing 3.13''$
Anchor hole size: $\varnothing 2.5''$ Minimum installation depth: 12''

POWER HUB & SOCKET ANCHORS



S100-84D w/ PH7-10-1

S100-84T w/ SD225-10-1

POWER HUB ANCHOR RODS



Figure 1



Figure 2

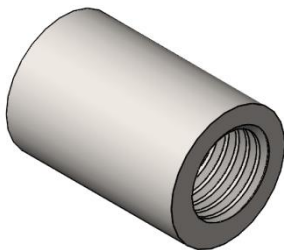
Catalog Number	Figure	Thread	Tensile Rating (lb)
DEN-695	1	695-11 UNS	16,000
DEN-1	1	1-8 UNS	36,000
TEN-1	2	1-8 UNS	36,000

Finish: Hot Dip Galvanized per ASTM A153



Catalog Number	Rod Dia.	Length (in)	Thread	Tensile Rating (lb)
S62-84	.625	84	695-11 UNS	16,000
S75-42	.75	42	1-8 UNC	23,000
S75-84	.75	84	1-8 UNC	23,000
S100-42	1	42	1-8 UNC	36,000
S100-84	1	84	1-8 UNC	36,000

Finish: Hot Dip Galvanized per ASTM A123
 To specify anchor rod w/ attachment, add one of the following suffix.
 "D" for DEN, "T" for TEN or "C" for coupler.



Catalog Number	Thread	Tensile Rating (lb)
CPL-1	1-8 UNS	36,000

Finish: Hot Dip Galvanized per ASTM A153

POWER HUB ANCHORS

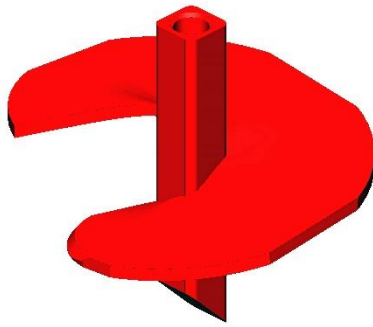


Figure 1

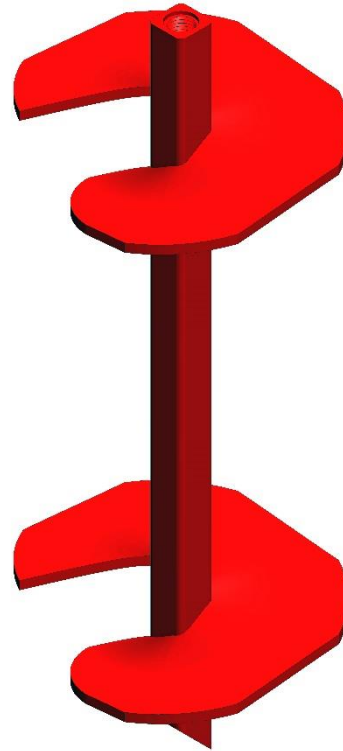


Figure 2

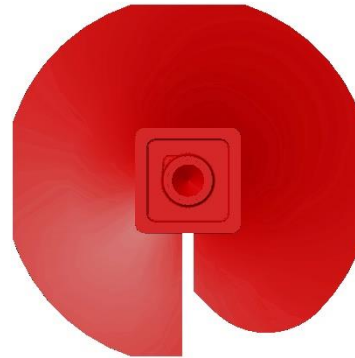
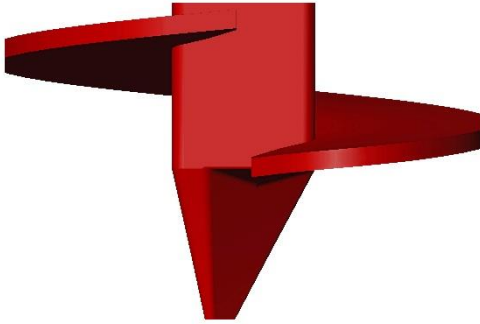
1-3/8" Square Shaft		6,000 ft-lb Torque Rating		
Catalog Number	Fig.	Helix Dia	Hub Length	Thread
PH6-8-695	1	8	9.5	695-11UNS
PH6-10-695	1	10	9.5	695-11UNS
PH6-12-695	1	12	9.5	695-11UNS
Anchor Coating: Painted				

1-1/2" Square Shaft		7,000 ft-lb Torque Rating		
Catalog Number	Fig.	Helix Dia	Hub Length	Thread
PH7-8-695	1	8	9.5	695-11UNS
PH7-10-695	1	10	9.5	695-11UNS
PH7-12-695	1	12	9.5	695-11UNS
Anchor Coating: Painted				

1-3/8" Square Shaft		6,000 ft-lb Torque Rating		
Catalog Number	Fig.	Helix Dia	Hub Length	Thread
PH6-8-1	1	8	9.5	1-8UNS
PH6-10-1	1	10	9.5	1-8UNS
PH6-12-1	1	12	9.5	1-8UNS
PH6-14-1	1	14	9.5	1-8UNS
PH6-82-1	2	8-8	28	1-8UNS
PH6-102-1	2	10-10	28	1-8UNS
Anchor Coating: Painted				

1-1/2" Square Shaft		7,000 ft-lb Torque Rating		
Catalog Number	Fig.	Helix Dia	Hub Length	Thread
PH7-8-1	1	8	9.5	1-8UNS
PH7-10-1	1	10	9.5	1-8UNS
PH7-12-1	1	12	9.5	1-8UNS
PH7-14-1	1	14	9.5	1-8UNS
PH7-82-1	2	8-8	28	1-8UNS
PH7-102-1	2	10-10	28	1-8UNS
Anchor Coating: Painted				

SOCKET HUB ANCHORS



2-1/4" Socket Drive		10,000 ft-lb Torque Rating	
Catalog Number	Helix Thk.	Helix Dia	Thread
SD225-8-1	.375	8	1-8UNS
SD225-10-1	.375	10	1-8UNS
SD225-12-1	.375	12	1-8UNS
SD225-14-1	.375	14	1-8UNS
Anchor Coating: Painted To specify helix with beveled edge, add suffix "V"			

2-1/2" Socket Drive		15,000 ft-lb Torque Rating	
Catalog Number	Helix Thk.	Helix Dia	Thread
SD250-8-1	.375	8	1-8UNS
SD250-10-1	.375	10	1-8UNS
SD250-12-1	.375	12	1-8UNS
SD250-14-1	.375	14	1-8UNS
Anchor Coating: Painted To specify helix with beveled edge, add suffix "V"			

SALCo

Street and Area Lighting Co.

Anchors

**HIGH STRENGTH
ANCHORS - RCS**



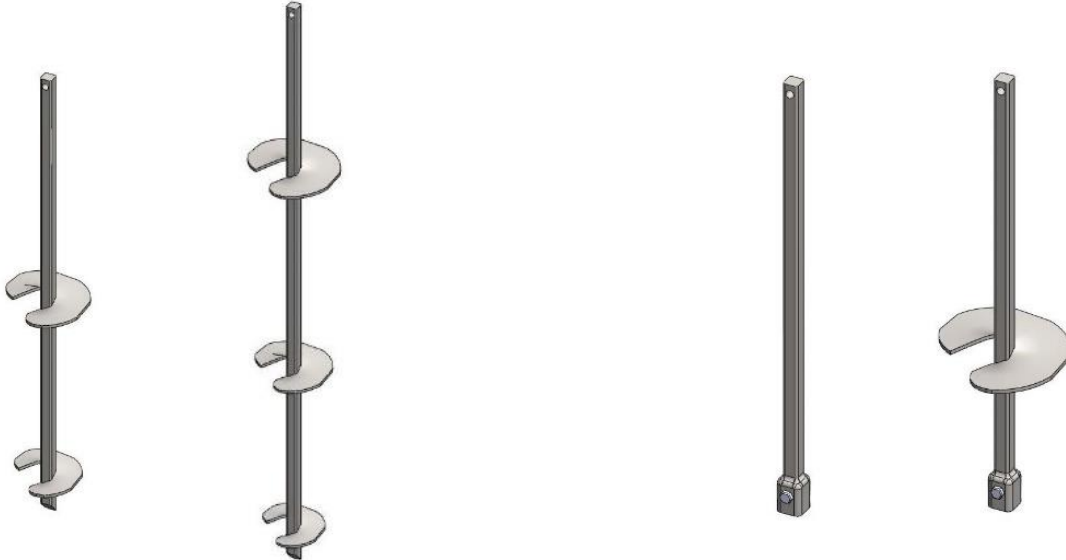
1-1/2" Round Corner Square Piles

(1.5" Solid shaft)

Torque: 7,000 FT-LB

Ult. Mechanical Rating: Tension: 70 Kip

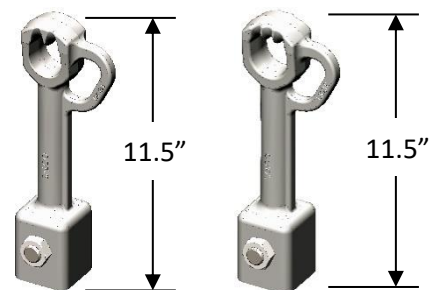
Helix Thickness: 3/8" (.375)



Catalog Number	Length (in)	Helix Ø
S736U810	36	8-10
S742U1012	42	10-12
S766U81012	66	8-10-12
S784U101214	84	10-12-14
S7126U8101214	126	8-10-12-14
S7126U10121414	126	10-12-14-14
To include double eye guy attachment, add suffix "D"		
To include triple eye guy attachment, add suffix "T"		
Finish: Hot Dip Galvanized per ASTM A153		

Catalog Number	Length (in)	Helix Ø
S7E42	42	-
S7E60	60	-
S7E84	84	-
S7E120	120	-
S7E42U12	42	12
S7E60U14	60	14
Hardware: Stud per ASTM A193-B7 (1 ea)		
Hex jam nuts per ASTM A563 (2 ea)		
Finish: Hot Dip Galvanized per ASTM A153		

Catalog Number	Description	Ultimate Tensile Rating (lb)	Pulling Eye Rating (lb)
S7604E	Twin Eye	70,000	12,000
S7606E	Triple Eye		
Hardware: Stud per ASTM A193-B7 (1 ea)			
Hex jam nuts per ASTM A563 (2 ea)			
Finish: Hot Dip Galvanized per ASTM A153			



INSTALLATION TOOLS



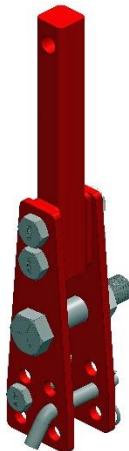
Catalog Number	Description
H200-525	Kelly Bar – 2" hex w/ 5-1/4" bolt circle (1/2" hdw)
H250-525	Kelly Bar – 2-1/2" hex w/ 5-1/4" bolt circle (1/2" hdw)
H263-525	Kelly Bar – 2-5/8" hex w/ 5-1/4" bolt circle (1/2" hdw)
H250-763	Kelly Bar – 2-1/2" hex w/ 7-5/8" bolt circle (5/8" hdw)
H263-763	Kelly Bar – 2-5/8" hex w/ 7-5/8" bolt circle (5/8" hdw)
Connection hardware and installation pin included	

Catalog Number	Description
S150-525	SS150 Socket w/ 5-1/4" bolt circle (1/2" hdw)
Connection hardware and installation pin included	



Catalog Number	Description
LD225-525	Locking Dog Assembly w/ 5-1/4" bolt circle (1/2" hdw)
LD225-763	Locking Dog Assembly w/ 7-5/8" bolt circle (5/8" hdw)
Connection hardware and installation pin included	

Catalog Number	Description
DW-20060	Drive End Wrench – 2.16" Outside, 1.46" Inside, 84" Length - Orange
DW-20250	Drive End Wrench – 2.44" Outside, 1.57" Inside, 84" Length - Yellow
DW-20190	Drive End Wrench – 2.44" Outside, 1.57" Inside, 84" Length - Red



Catalog Number	Description
NWA-INS150	No Wrench Anchor Install Tool (1.5" rcs engagement)
Connection hardware and installation pin included	

Street Light Foundations

Installs in a day, to light the night

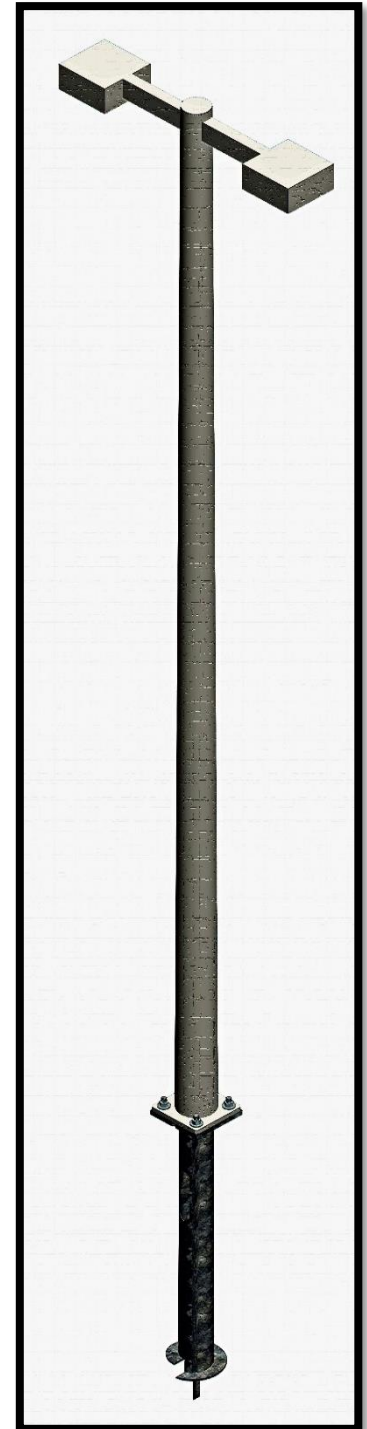


You know SALCo for our street light brackets. Now come to us for your pole foundation needs.

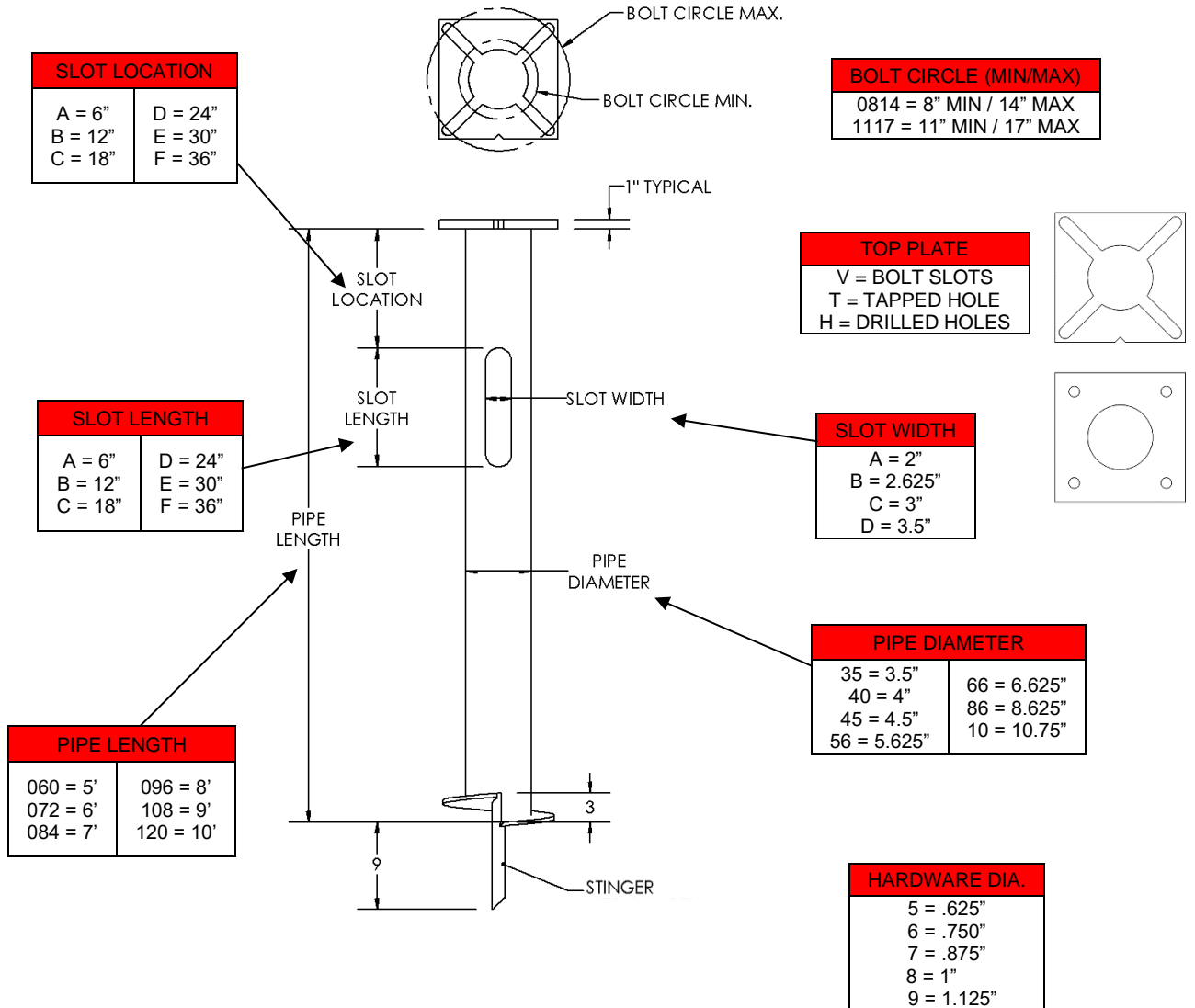
SALCo lighting foundation anchors offer an engineered solution to support your roadway and area light poles. Fully customizable, with a variety of bolt circle and pipe size options.

Easily installed with standard utility truck equipment, with little soil disruption during installation. Offering a reduction in costs over typical pole support installation methods. Capable of installing the pole immediately after installation, without the need of rebar or waiting for grout to set up.

Contact us for pole foundation needs.



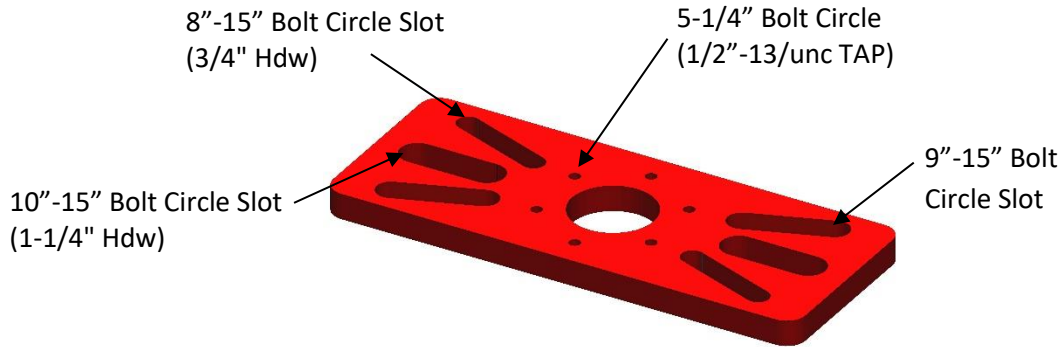
LIGHT FOUNDATION CATALOG NUMBER SYSTEM



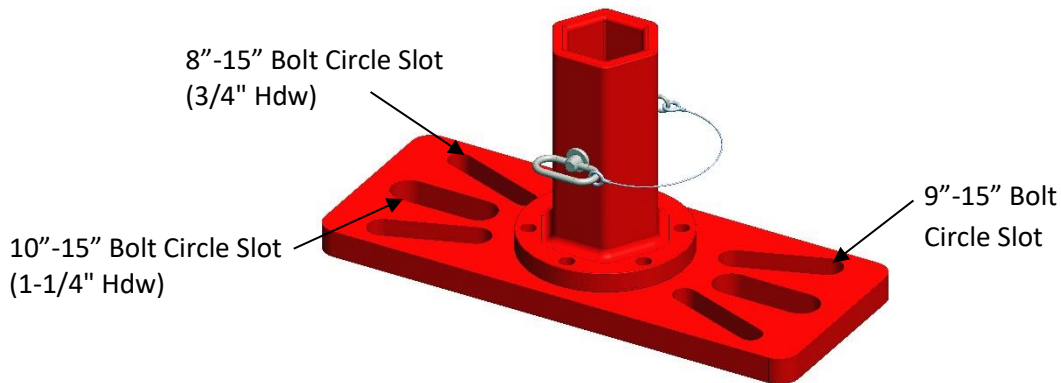
CATALOG NUMBER: LF66060BBB08148V

LIGHT FOUNDATION: LF
 PIPE DIAMETER: 66 = 6.625" OD
 PIPE LENGTH: 060 = 60"
 SLOT LOCATION: B = 12"
 SLOW WIDTH: B = 2.625"
 SLOW LENGTH: B = 12"
 BOLT CIRCLE: 0814 = 8" MIN / 14" MAX
 HARDWARE SIZE: 8 = 1" OD HARDWARE
 TOP PLATE: V = SLOTTED

LIGHT FOUNDATION INSTALLATION TOOLS



Catalog Number	Description
LF-PLATE-WH	Install Plate w/ 5-1/4" Bolt Circle
Connection hardware and installation pin included	



Catalog Number	Description
LF-H200	Install Plate w/ 2" Kelly Bar
LF-H250	Install Plate w/ 2-1/2" Kelly Bar
LF-H263	Install Plate w/ 2-5/8" Kelly Bar
Installation pin included	

Class	Common Soil-Type Description	Geological Soil Classification	Typical Blow Count "N" per ASTM-D1586
0	Sound hard rock, unweathered	Granite, Basalt, Massive Limestone	N.A. ROD = 50-1/2
1	Very dense and/or cemented sands; coarse gravel and cobbles	Caliche, (Nitrate-bearing gravel/rock)	60-100+
2	Dense Fine sand; very hard silts and clays (may be preloaded)	Basal till; boulder clay; caliche; weathered laminated rock	45-60
3	Dense clays, sands and gravel; hard silts and clays	Glacial till; weathered shales, schist, gneiss and siltstone	35-50
4	Medium dense sandy gravel; very stiff to hard silts and clays	Glacial fill; hardpan; marls	24-40
5	Medium dense coarse sand and sandy gravels; stiff to very stiff silts and clays	Saprolites, residual soils	14-25
6	Loose to medium dense fine to coarse sand; firm stiff clays and silts	Dense hydraulic fill; compacted fill; residual soils	7-14
7**	Loose fine sand; Alluvium; loess; soft-firm clays; varied clays; fill	Flood plain soils; lake clays; adobe; gumbo, fill	4-8
8**	Peat, organic silts; inundated silts, fly ash	Miscellaneous fill, swamp marsh	0-5

Notes: Class 1 soils are difficult to probe consistently and the ASTM blow count may be of questionable value.

** It is advisable to install anchors deep enough to penetrate a Class 5 or 6 underlying the Class 7 or 8 soils.

Pole Information			
Mounting Height (ft):		Material:	Shape:
Diameter Bottom (in):		Diameter Top (in):	Base Bolt Circle (in):
Arm Information			
Arm Length (ft):		Arm Diameter (in):	Type:
Arm Shape:		Number of Arms:	Luminaire EPA (Sq Ft):
Wiring Slot Size			
Length (in):		Width (in):	Location from Top Plate (in):
Wind/Soil			
Wind Load Requirement (mph):		City/State of Installation:	
Soil Description:		Soil Class Number:	Blow Count:
Hardware			
Foundation Bolt Circle (in):		Bolt Diameter (in):	Bolt Length (in): <small>4" UNLESS OTHERWISE</small>
Breakaway Device Required	Yes <input type="checkbox"/>	No <input type="checkbox"/>	

CROSS REFERENCE

Product Family	Salco	MPS	Chance	ECP	Powerline Hardware	Allied Bolt
Square Shaft, Anchors	S736U810	D6632	012642AE	TAF-150-36 (810)	-	35510
	S736U810D	D6632DU	126542AE	-	-	3700
	S736U810T	D6632TU	-	-	-	3704
	S742U1012	D6634	012642EJ	TAF-150-42 (1012)	-	35821
	S742U1012D	D6634DU	-	-	-	3701
	S742U1012T	D6634TU	-	-	-	3705
	S766U81012	D6636	012642AEJ	TAF-150-66 (81012)	-	35530
	S766U81012D	D6636DU	126542AEJ	-	-	3702
	S766U81012T	D6636TU	-	-	-	3706
	S784U101214	D6637	012642EJN	TAF-150-84 (101214)	-	35550
	S784U101214D	D6637DU	-	-	-	3703
	S784U101214T	D6637TU	-	-	-	3707
	S7120U10121414	D6638	012642EJNS	TAF-150-120 (10121414)	-	-
	S7120U10121414D	D6638DU	-	-	-	-
	S7120U10121414T	D6638TU	-	-	-	-
Square Shaft, Extensions	S7E42	D6616U	12655	TAE-150-42	-	35600
	S7E60	D6620U	12656	TAE-150-60	-	35610
	S7E84	D6625U	12657	TAE-150-84	-	35620
	S7E120	D6630U	12658	TAE-150-120	-	35630
	S7E42U12	D6616UC	12655J	TAE-150-42 (12)	-	-
	S7E60U14	D6620UD	12656N	TAE-150-60 (14)	-	-
Square Shaft, Guy Adapters	S7604E	D6604US	C1020024	-	-	3566
	S7606E	D6606US	C1020025	TAA-150-103	-	3567
Power Hub Rod	S62-84	D62	12332P	TAR-625-84	-	3423
	S62-84D	D62D	E1020043	TARN-625-842	-	3611
	S75-42	D75-3-1/2	12634P	TAR-750-42	-	3421
	S75-42D	D75-3-1/2D	E1020040	TARN-750-422	-	3605
	S75-42T	D75-3-1/2T	-	TARN-750-423	-	3606
	S75-42C	D75-3-1/2C	12250A	TARC-750-42	-	3641
	S75-84	D75	12632P	TAR-750-84	-	3424
	S75-84D	D75D	E1020044	TARN-750-842	-	3614
	S75-84T	D75T	E1020052	TARN-750-843	-	3615
	S75-84C	D75C	C1022328	TARC-750-84	-	3644
	S100-42	D100-3-1/2	12338P	TAR-100-42	-	3422
	S100-42D	D100-3-1/2D	E1020041	TARN-100-422	-	3608
	S100-42T	D100-3-1/2T	E1020049	TARN-100-423	-	3609
	S100-42C	D100-3-1/2C	12251A	TARC-100-42	-	3642
	S100-84	D100	12334P	TAR-100-84	-	3425
	S100-84D	D100D	E1020045	TARN-100-842	-	3617
	S100-84T	D100T	E1020053	TARN-100-843	-	3618
	S100-84C	D100C	12255A	TARC-100-84	-	3645
	DEN-695	D6560A	12589	TAN-625-002	-	5041
	DEN-1	D6562A	6562	TAN-100-002	-	5042
	TEN-1	D6567	12585	TAN-100-003	-	5043
	CPL-1	D354	12247P	TAC-100	-	5053

CROSS REFERENCE

Product Family	Salco	MPS	Chance	ECP	Powerline Hardware	Allied Bolt
Anchor, No Wrench	NW755404	J6524WCA	4345	TNW-750-543 (4)	P6524	6044
	NW756606	J6526WCA	6346	TNW-750-663 (6)	P6526	1166
	NW1006608	J6528WCA	816	-	P6528	1167
	NW1256610	J6530WCA	10146	TNW-125-663 (10)	P6530	1168
	NW1259610	J6550WCA	10148	TNW-125-963 (10)	P6550	1169
	NW1259614	J6584WCA	12537	TNW-125-963 (14)	P6584	-
	NW1259615	J6585WCA	15148	TNW-125-963 (15)	P6585	1163
Anchor Rod, Extension	AE75024	D1099-0012	PSC1022176	-	-	-
	AE100024	D1099-0006	PSC1022305	-	-	-
Anchor Rod, Triple	AR75084	J7327	7557	-	P7327	4179
	AR75096	J7328	7558	-	P7328	4180
	AR75108	J7329	7559	-	P7329	4181
	AR10084	J7337	-	-	P7337	-
	AR10096	J7338	7568	-	P7338	4182
	AR100120	J7340	7570	-	P7340	4183
	AR125096	-	C2000028	-	-	-
	AR125120	J7350	7574	-	P7350	4184
Rock Anchor	RA100-30	JR130	-	-	-	55508
	RA100-53	JR153	-	-	-	55509
	RA100-72	JR172	-	-	-	55510
	RA100-84	JR184	-	-	-	55511
	RA100-96	JR196	-	-	-	55512
Anchor, 2-1/4" Socket Drive	SD225-8-1	TD225-84	C1025200	TAX-225-100 (8)	-	3501
	SD225H-8-1	TDH225-84	-	HTAX-225-100 (8)	-	3511
	SD225-8-1	-	C1025204	-	-	-
	SD225-8-1V	TD225-84B	T1022021	-	-	-
	SD225-10-1	TD225-104	C1025201	TAX-225-100 (10)	-	3503
	SD225H-10-1	TDH225-104	-	HTAX-225-100 (10)	-	3512
	SD225-10-1	-	C1025205	-	-	-
	SD225-10-1V	TD225-104B	T1022022	-	-	-
	SD225-12-1	TD225-114	C1025202	TAX-225-100 (12)	-	3504
	SD225H-12-1	TDH225-114	-	HTAX-225-100 (12)	-	3513
	SD225-12-1	-	C1025206	-	-	-
	SD225-12-1V	TD225-114B	T1022023	-	-	-
	SD225-14-1	TD225-134	C1025203	TAX-225-100 (14)	-	3505
	SD225H-14-1	TDH225-134	-	HTAX-225-100 (14)	-	3514
	SD225-14-1	-	C1025207	-	-	-
SD225-14-1V	TD225-134B	T1022024	-	-	-	

CROSS REFERENCE

Product Family	Salco	MPS	MPS	Chance	Chance	ECP	Allied Bolt	Allied Bolt
Anchor, 2-1/2" Socket Drive	SD250-8-1	TD250-84	-	C1025000	-	TAX-250-100 (8)	3521	-
	SD250H-8-1	TDH250-84	-	-	-	HTAX-250-100 (8)	3530	-
	SD250-8-1	-	-	C1025004	-	-	-	-
	SD250-8-1V	TD250-84B	-	-	-	-	-	-
	SD250-10-1	TD250-104	-	C1025001	-	TAX-250-100 (10)	3523	-
	SD250H-10-1	TDH250-104	-	-	-	HTAX-250-100 (10)	3531	-
	SD250-10-1	-	-	C1025005	-	-	-	-
	SD250-10-1V	TD250-104B	-	-	-	-	-	-
	SD250-12-1	TD250-114	-	C1025002	-	TAX-250-100 (12)	3525	-
	SD250H-12-1	TDH250-114	-	-	-	HTAX-250-100 (12)	3532	-
	SD250-12-1	-	-	C1025006	-	-	-	-
	SD250-12-1V	TD250-114B	-	-	-	-	-	-
	SD250-14-1	TD250-134	-	C1025003	-	TAX-250-100 (14)	3526	-
	SD250H-14-1	TDH250-134	-	-	-	HTAX-250-100 (14)	3533	-
	SD250-14-1	-	-	C1025007	-	-	-	-
SD250-14-1V	TD250-134B	-	-	-	-	-	-	
Anchor, 1-3/8" Power Hub	PH6-8-1	D84	D84-7	024475	E1021632	TAPL-100-10 (8)	3404	3433
	PH6-8-695	D82	-	024474	E1021629	TAPL-625-10 (8)	-	3432
	PH6-10-1	D104	D104-7	024478	E1021633	TAPL-100-10 (10)	3406	3435
	PH6-10-695	D102	-	024476	E1021630	TAPL-625-10 (10)	3405	3434
	PH6-12-1	D114	D114-7	024481	E1021634	TAPL-100-10 (12)	3408	3437
	PH6-12-695	D112	-	024462	E1021631	TAPL-625-10 (12)	3407	3436
	PH6-14-1	D134	D134-7	024484	E1021801	TAPL-100-10 (14)	-	3438
	PH6-42-1	D42-6	-	-	E1021635	-	3492	-
	PH6-48-1	-	-	-	-	-	3430	-
	PH6-82-1	D84-2-6	-	012904	E1021636	TAPL-100-26 (8,8)	3493	3490
PH6-102-1	D104-2-6	-	012905	E1021637	TAPL-100-26 (10,10)	3494	3491	
Anchor, 1-1/2" Power Hub	PH7-8-1	D184	D184-7	E1020819	E1021223	TAP-100-10 (8)	3474	3450
	PH7-8-695	D182	-	E1020816	-	TAP-695-10 (8)	3473	-
	PH7-10-1	D1104	D1104-7	E1020820	E1020250	TAP-100-10 (10)	3476	3451
	PH7-10-695	D1102	-	E1020817	-	TAP-695-10 (10)	3475	-
	PH7-12-1	D1114	D1114-7	E1020821	T1022143	TAP-100-10 (12)	3478	3452
	PH7-14-1	D1134	D1134-7	T1022142	T1022319	TAP-100-10 (14)	3479	-
	PH7-42-1	D244	D244-7	-	V1021428	-	-	3497
	PH7-82-1	D284	D284-7	E1020822	E1021219	TAP-100-26 (8,8)	3495	3498
PH7-102-1	D2104	D2104-7	E1020823	E1021220	TAP-100-26 (10,10)	3496	3499	