

# SALCO

---

**EST. 2000**

1400 Red Hollow Road  
Birmingham, AL, 35215  
United States

Corporate Office: (205) 854-2098  
Fax: (205) 854-2099  
[info@salcoinc.net](mailto:info@salcoinc.net)

Mailing Address:  
P.O. Box 94618, Birmingham, AL 35220

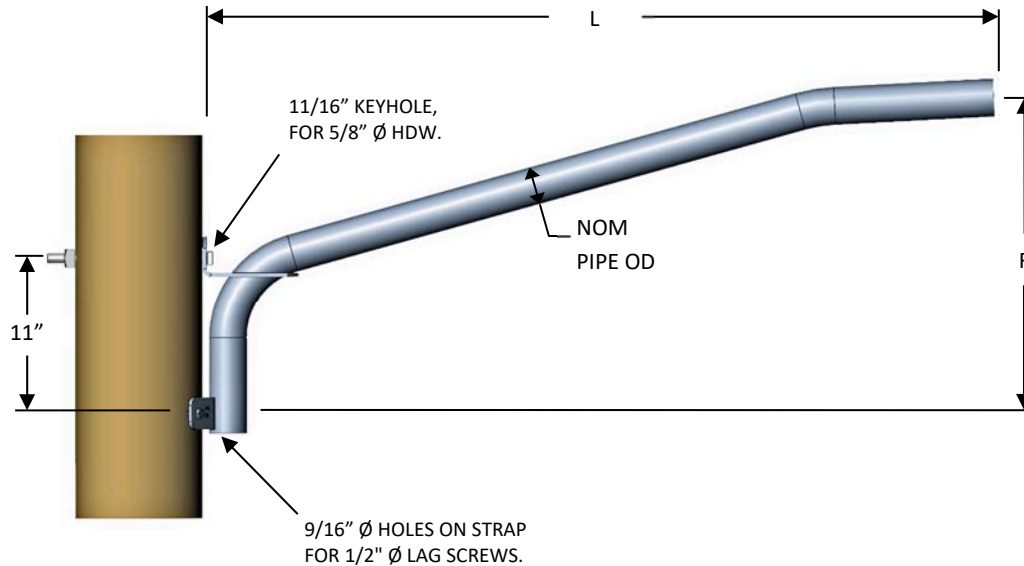
# SALCo

Street and Area Lighting Co.

## CATALOG INDEX

MASTARM TYPE	SERIES	PG#
CANTILEVER	WP	1
UNDERBRACE	WPUB	2
SINGLE GUY ROD	WPSG	3
DOUBLE GUY ROD	WPDG	4
A FRAME W/ SINGLE GUY ROD	AFSG	5
A FRAME W/ DOUBLE GUY ROD	AFDG	6
TAPERED ELIPTICAL	TE	7
SINGLE FLOODLIGHT – TENON – S	SFA	8
SINGLE FLOODLIGHT – TENON - A	SFA	9
FLOODLIGHT TENON ADAPTER	FA	10
SINGLE FLOODLIGHT	WPF	11
DOUBLE FLOODLIGHT	WP2F	12
DOUBLE FLOODLIGHT – TENON	WP2FT	13
SINGLE BULLHORN	WPBH1	14
DOUBLE BULLHORN	WPBH2	15
TRIPLE BULLHORN	WPBH3	16
TRUSS (WOOD POLE)	WPT	17
CANTILEVER (30°)	PHR	18
CANTILEVER (CHANNEL MOUNT)	CP	19
CANTILEVER (CHANNEL MOUNT W/ DOUBLE GUY)	CPDG	20
TRUSS (CONCRETE POLE - BOLTED)	CPT	21
TRUSS (CONCRETE POLE - CLAMP)	COT	22
CANTILEVER (CLAMP STYLE)	CO	23
CANTILEVER (CLAMP STYLE – DOUBLE GUY)	CODG	24
WRAP AROUND (CLAMP SINGLE)	CO-1	25
WRAP AROUND (CLAMP DOUBLE)	CO-2	25
WRAP AROUND (CLAMP TRIPLE)	CO-3	26
WRAP AROUND (CLAMP QUAD)	CO-4	26
CANTILEVER - DOUBLE BOLT SIMPLEX	2BS	27
TRUSS - DOUBLE BOLT SIMPLEX	2BST	28
BALL FIELD LIGHTING - TWO WAY	DL-2F	29
BALL FIELD LIGHTING - THREE WAY	DL-3F	30
BALL FIELD LIGHTING - FOUR WAY	DL-4F	31
BALL FIELD LIGHTING - FIVE WAY	DL-5F	32
BALL FIELD LIGHTING - SIX WAY	DL-6F	33
BULL HORN - POLE TOP, TWO WAY	TMBH2	34
BULL HORN - POLE TOP, THREE WAY	TMBH3	34
BULL HORN - POLE TOP, FOUR WAY	TMBH4	35
BULL HORN - POLE TOP, FIVE WAY	TMBH5	35
BULL HORN - POLE TOP, THREE WAY 120°	TMBH3-120	36
BULL HORN - POLE TOP, FOUR WAY 90°	TMBH4-90	36
STUB ARM - POLE TOP, ONE WAY	TM1S	37
STUB ARM - POLE TOP, TWO WAY	TM2S	37
STUB ARM - POLE TOP, THREE WAY	TM3S	38
STUB ARM - POLE TOP, FOUR WAY	TM4S	38
CANILEVER BRACKET - POLE TOP - SINGLE	TM2	39
CANILEVER BRACKET - POLE TOP - DOUBLE	TM2-2	40

**MAST ARM STYLE: CANTILEVER  
POLE TYPE: WOOD**



STEEL (HOT DIP GALV)				ALUMINUM			
CATALOG NUMBER	PIPE OD (in)	NOMINAL L (ft)	RISE (in)	CATALOG NUMBER	PIPE OD (in)	NOMINAL L (ft)	RISE (in)
WP-125-2-S	1.25	2	18	WP-125-2-A	1.25	2	18
WP-2-2-S	2	2	18	WP-2-2-A	2	2	18
WP-125-2.5-S	1.25	2.5	19	WP-125-2.5-A	1.25	2.5	19
WP-2-2.5-S	2	2.5	19	WP-2-2.5-A	2	2.5	19
WP-125-4-S	1.25	4	21	WP-125-4-A	1.25	4	21
WP-2-4-S	2	4	21	WP-2-4-A	2	4	21
WP-125-6-S	1.25	6	24	WP-125-6-A	1.25	6	24
WP-2-6-S	2	6	24	WP-2-6-A	2	6	24
WP-125-8-S	1.25	8	36	WP-2-8-A	2	8	36
WP-2-8-S	2	8	36				

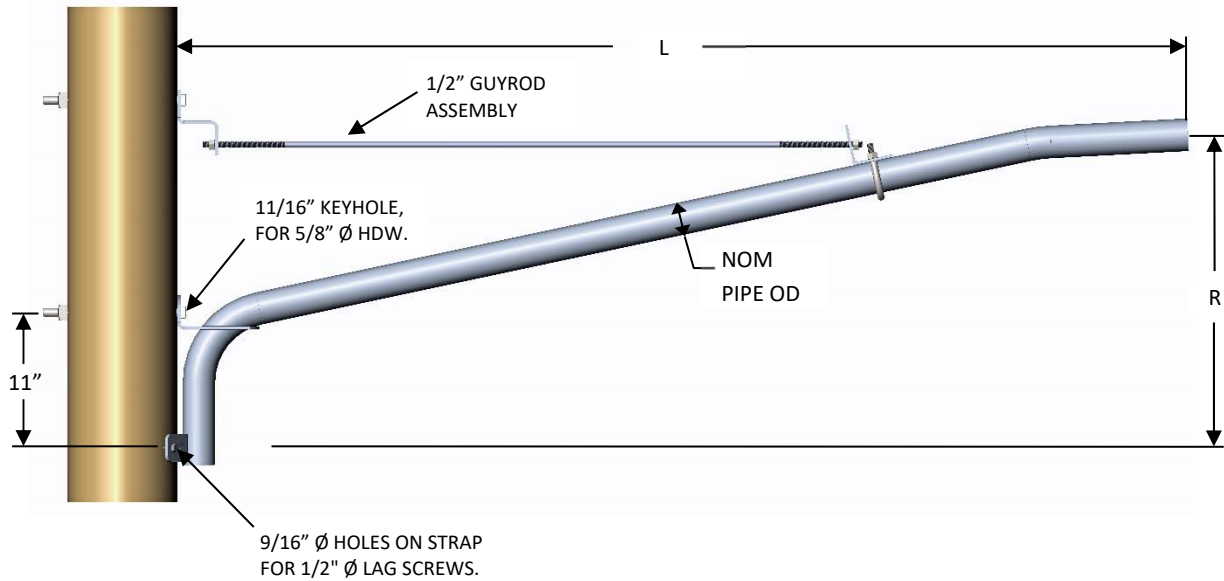
NOTES:

- 1) 1.25" IPS PIPE = 1.66" OD
- 2) 2" IPS PIPE = 2.38" OD

# SALCo

Street and Area Lighting Co.

## MAST ARM STYLE: CANTILEVER – SINGLE GUY POLE TYPE: WOOD

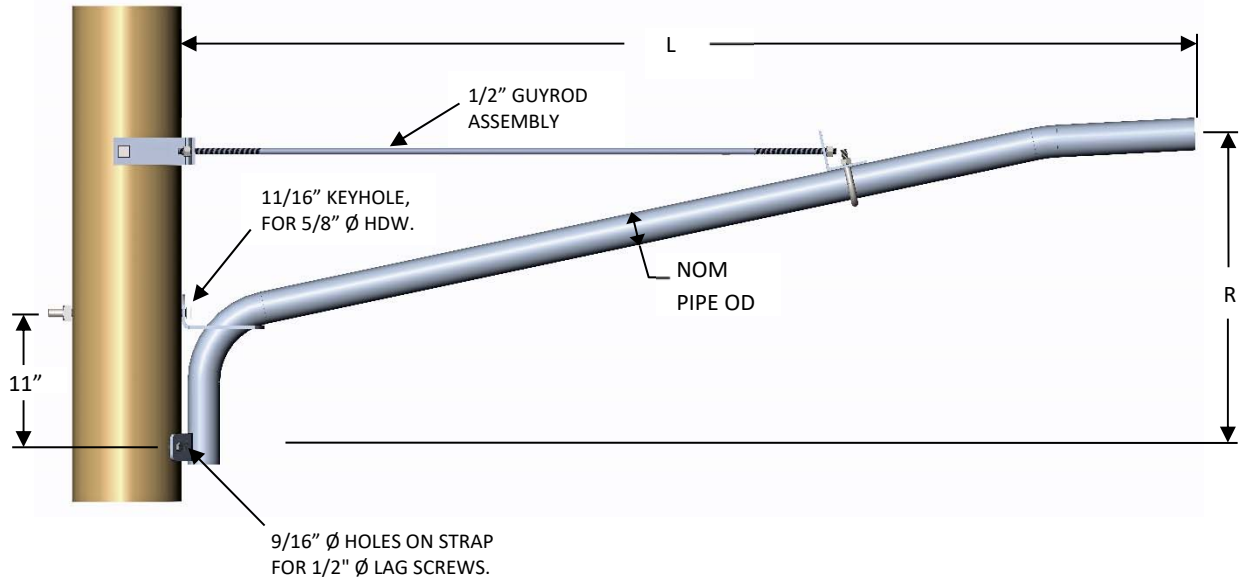


STEEL (HOT DIP GALV)				ALUMINUM			
CATALOG NUMBER	PIPE OD (in)	NOMINAL L (ft)	RISE (in)	CATALOG NUMBER	PIPE OD (in)	NOMINAL L (ft)	RISE (in)
WPSG-125-6-S	1.25	6	24	WPSG-125-6-A	1.25	6	24
WPSG-2-6-S	2	6	24	WPSG-2-6-A	2	6	24
WPSG-125-8-S	1.25	8	36	WPSG-125-8-A	1.25	8	36
WPSG-2-8-S	2	8	36	WPSG-2-8-A	2	8	36
WPSG-125-10-S	1.25	10	39	WPSG-125-10-A	1.25	10	39
WPSG-2-10-S	2	10	39	WPSG-2-10-A	2	10	39
WPSG-125-12-S	1.25	12	50	WPSG-125-12-A	1.25	12	50
WPSG-2-12-S	2	12	50	WPSG-2-12-A	2	12	50
WPSG-125-14-S	1.25	14	65	WPSG-125-14-A	1.25	14	65
WPSG-2-14-S	2	14	65	WPSG-2-14-A	2	14	65
WPSG-125-16-S	1.25	16	81	WPSG-125-16-A	1.25	16	81
WPSG-2-16-S	2	16	81	WPSG-2-16-A	2	16	81

NOTES:

- 1) 1.25" IPS PIPE = 1.66" OD
- 2) 2" IPS PIPE = 2.38" OD

**MAST ARM STYLE: CANTILEVER – DOUBLE GUY**  
**POLE TYPE: WOOD**

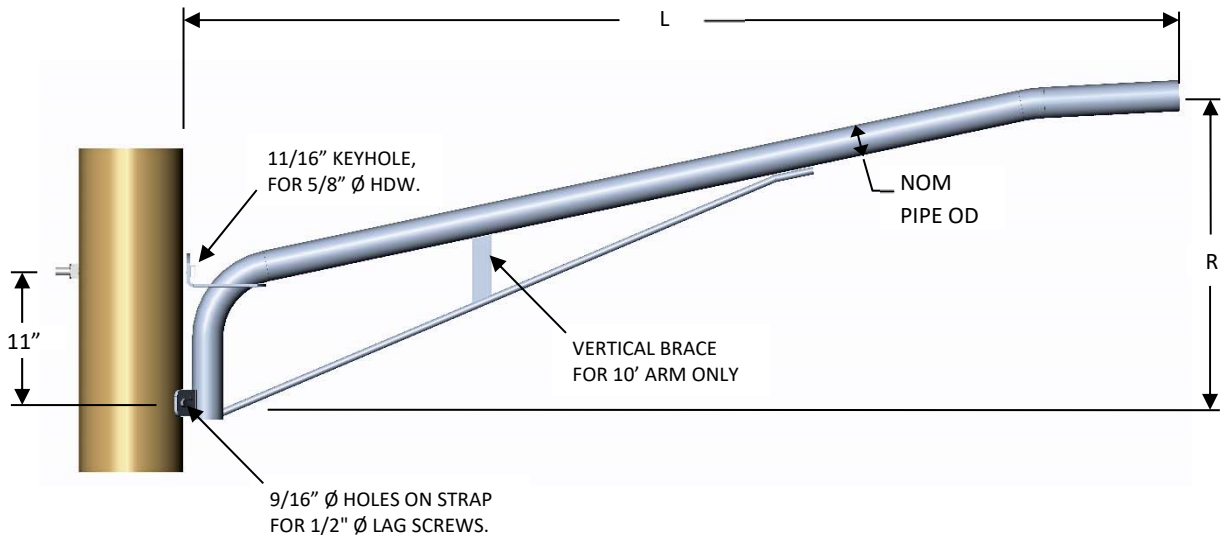


STEEL (HOT DIP GALV)				ALUMINUM			
CATALOG NUMBER	PIPE OD (in)	NOMINAL L (ft)	RISE (in)	CATALOG NUMBER	PIPE OD (in)	NOMINAL L (ft)	RISE (in)
WPDG-125-6-S	1.25	6	24	WPDG-125-6-A	1.25	6	24
WPDG-2-6-S	2	6	24	WPDG-2-6-A	2	6	24
WPDG-125-8-S	1.25	8	36	WPDG-125-8-A	1.25	8	36
WPDG-2-8-S	2	8	36	WPDG-2-8-A	2	8	36
WPDG-125-10-S	1.25	10	39	WPDG-125-10-A	1.25	10	39
WPDG-2-10-S	2	10	39	WPDG-2-10-A	2	10	39
WPDG-125-12-S	1.25	12	50	WPDG-125-12-A	1.25	12	50
WPDG-2-12-S	2	12	50	WPDG-2-12-A	2	12	50
WPDG-125-14-S	1.25	14	65	WPDG-125-14-A	1.25	14	65
WPDG-2-14-S	2	14	65	WPDG-2-14-A	2	14	65
WPDG-2-16-S	2	16	81	WPDG-2-16-A	2	16	81
WPDG-2-18-S	2	18	91	WPDG-2-18-A	2	18	91
WPDG-2-20-S	2	20	102	WPDG-2-20-A	2	20	102

NOTES:

- 1) 1.25" IPS PIPE = 1.66" OD
- 2) 2" IPS PIPE = 2.38" OD

**MAST ARM STYLE: UNDERBRACE  
POLE TYPE: WOOD**

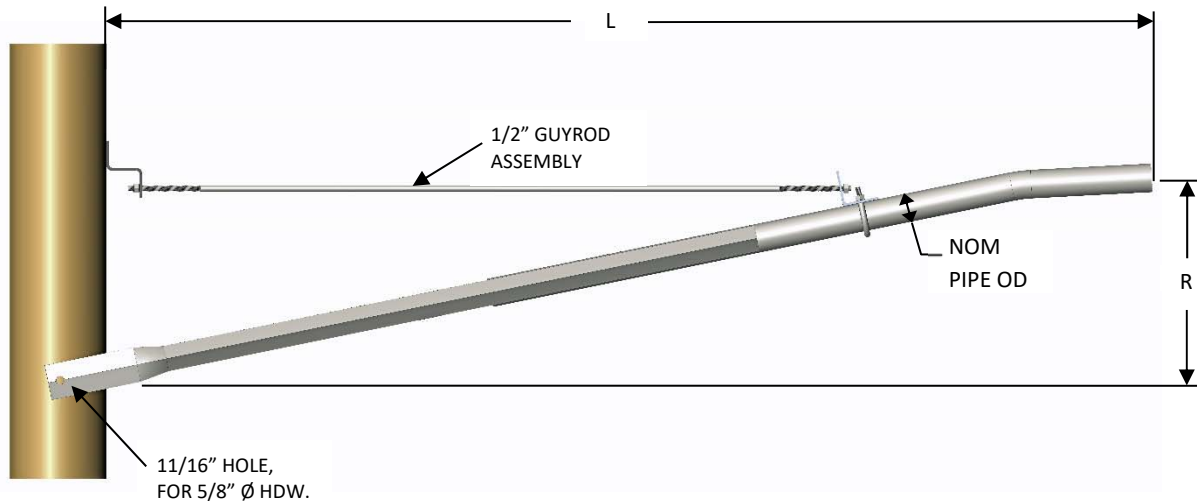


STEEL (HOT DIP GALV)				ALUMINUM			
CATALOG NUMBER	PIPE OD (in)	NOMINAL L (ft)	RISE (in)	CATALOG NUMBER	PIPE OD (in)	NOMINAL L (ft)	RISE (in)
WPUB-125-6-S	1.25	6	24	WPUB-125-6-A	1.25	6	24
WPUB-2-6-S	2	6	24	WPUB-2-6-A	2	6	24
WPUB-125-8-S	1.25	8	36	WPUB-125-8-A	1.25	8	36
WPUB-2-8-S	2	8	36	WPUB-2-8-A	2	8	36
WPUB-2-10-S	2	10	39				

NOTES:

- 1) 1.25" IPS PIPE = 1.66" OD
- 2) 2" IPS PIPE = 2.38" OD

**MAST ARM STYLE: A-FRAME SINGLE GUY  
POLE TYPE: WOOD**

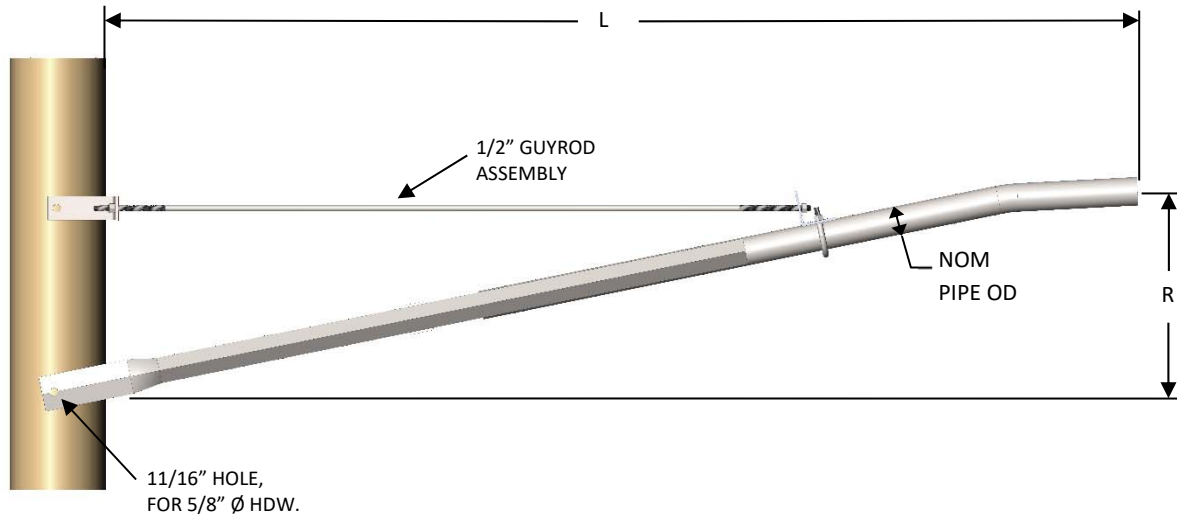


STEEL (HOT DIP GALV)				ALUMINUM			
CATALOG NUMBER	PIPE OD (in)	NOMINAL L (ft)	RISE (in)	CATALOG NUMBER	PIPE OD (in)	NOMINAL L (ft)	RISE (in)
AFSG-125-8-S	1.25	8	36	AFSG-125-8-A	1.25	8	36
AFSG-2-8-S	2	8	36	AFSG-2-8-A	2	8	36
AFSG-125-10-S	1.25	10	42	AFSG-125-10-A	1.25	10	42
AFSG-2-10-S	2	10	42	AFSG-2-10-A	2	10	42
AFSG-125-12-S	1.25	12	48	AFSG-125-12-A	1.25	12	48
AFSG-2-12-S	2	12	48	AFSG-2-12-A	2	12	48
AFSG-125-14-S	1.25	14	54	AFSG-125-14-A	1.25	14	54
AFSG-2-14-S	2	14	54	AFSG-2-14-A	2	14	54
AFSG-125-16-S	1.25	16	66	AFSG-125-16-A	1.25	16	66
AFSG-2-16-S	2	16	66	AFSG-2-16-A	2	16	66

NOTES:

- 1) 1.25" IPS PIPE = 1.66" OD
- 2) 2" IPS PIPE = 2.38" OD

**MAST ARM STYLE: A-FRAME DOUBLE GUY  
POLE TYPE: WOOD**



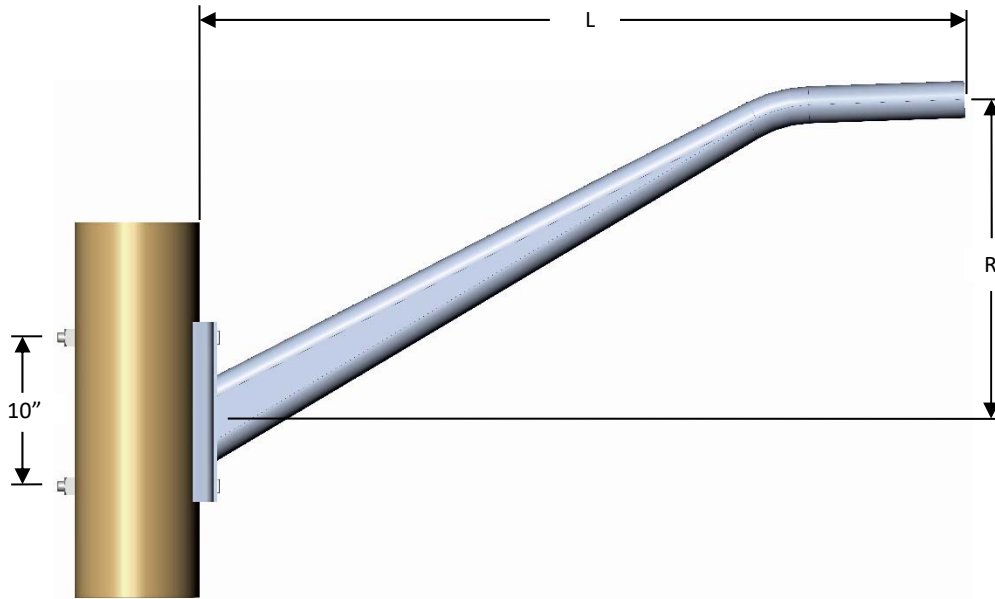
STEEL (HOT DIP GALV)				ALUMINUM			
CATALOG NUMBER	PIPE OD (in)	NOMINAL L (ft)	RISE (in)	CATALOG NUMBER	PIPE OD (in)	NOMINAL L (ft)	RISE (in)
AFDG-125-8-S	1.25	8	36	AFDG-125-8-A	1.25	8	36
AFDG-2-8-S	2	8	36	AFDG-2-8-A	2	8	36
AFDG-125-10-S	1.25	10	42	AFDG-125-10-A	1.25	10	42
AFDG-2-10-S	2	10	42	AFDG-2-10-A	2	10	42
AFDG-125-12-S	1.25	12	48	AFDG-125-12-A	1.25	12	48
AFDG-2-12-S	2	12	48	AFDG-2-12-A	2	12	48
AFDG-125-14-S	1.25	14	54	AFDG-125-14-A	1.25	14	54
AFDG-2-14-S	2	14	54	AFDG-2-14-A	2	14	54
AFDG-125-16-S	1.25	16	66	AFDG-125-16-A	1.25	16	66
AFDG-2-16-S	2	16	66	AFDG-2-16-A	2	16	66
AFDG-2-18-S	2	18	72	AFDG-2-18-A	2	18	72
AFDG-2-20-S	2	20	78	AFDG-2-20-A	2	20	78

NOTES:

- 1) 1.25" IPS PIPE = 1.66" OD
- 2) 2" IPS PIPE = 2.38" OD

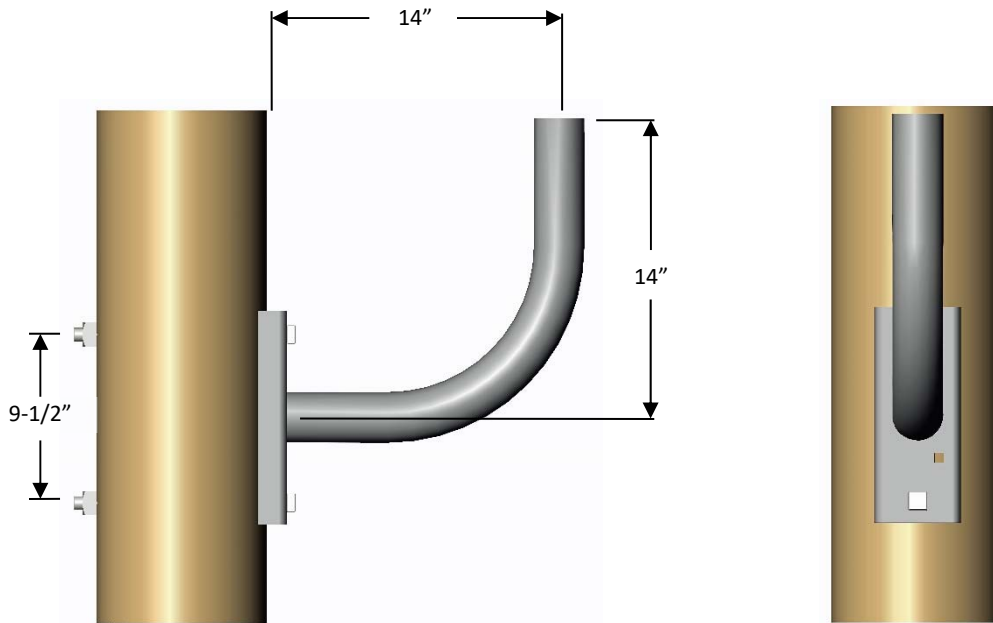


**MAST ARM STYLE: TAPERED ELIPTICAL  
POLE TYPE: WOOD/CONCRETE/FIBERGLASS**



<b>ALUMINUM</b>			
<b>CATALOG NUMBER</b>	<b>PIPE OD (in)</b>	<b>NOMINAL L (ft)</b>	<b>RISE (in)</b>
TE-424	2	4	19
TE-624	2	6	24
TE-832	2	8	30

**MAST ARM STYLE: SINGLE FLOODLIGHT ARM  
POLE TYPE: WOOD/CONCRETE**

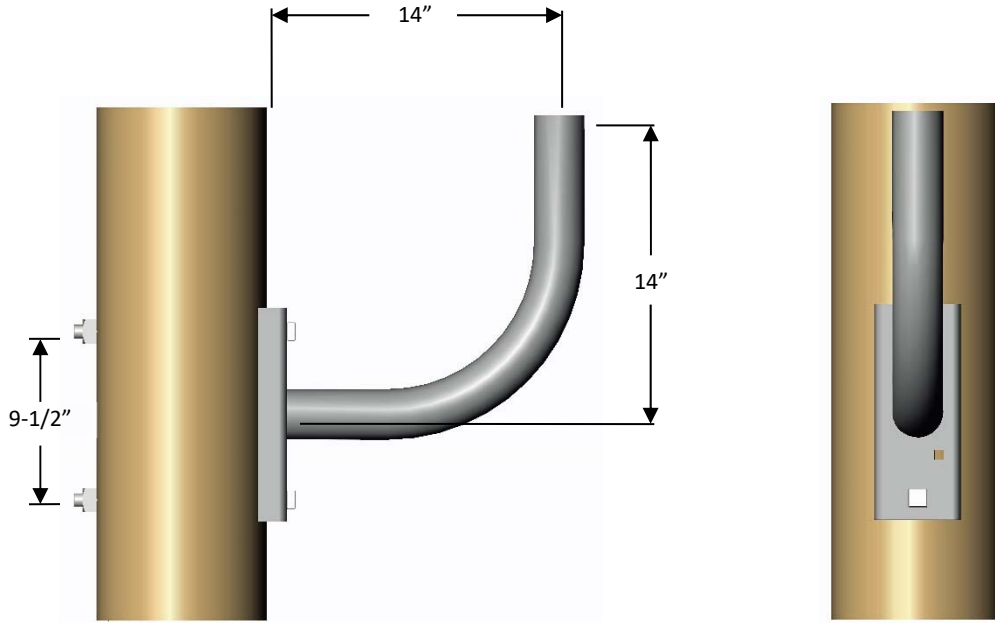


<b>STEEL (HOT DIP GALV)</b>	
<b>CATALOG NUMBER</b>	<b>PIPE OD (in)</b>
SFA-2-S	2

NOTES:

- 1) 2" IPS PIPE = 2.38" OD

**MAST ARM STYLE: SINGLE FLOODLIGHT ARM  
POLE TYPE: WOOD/CONCRETE/FIBERGLASS**

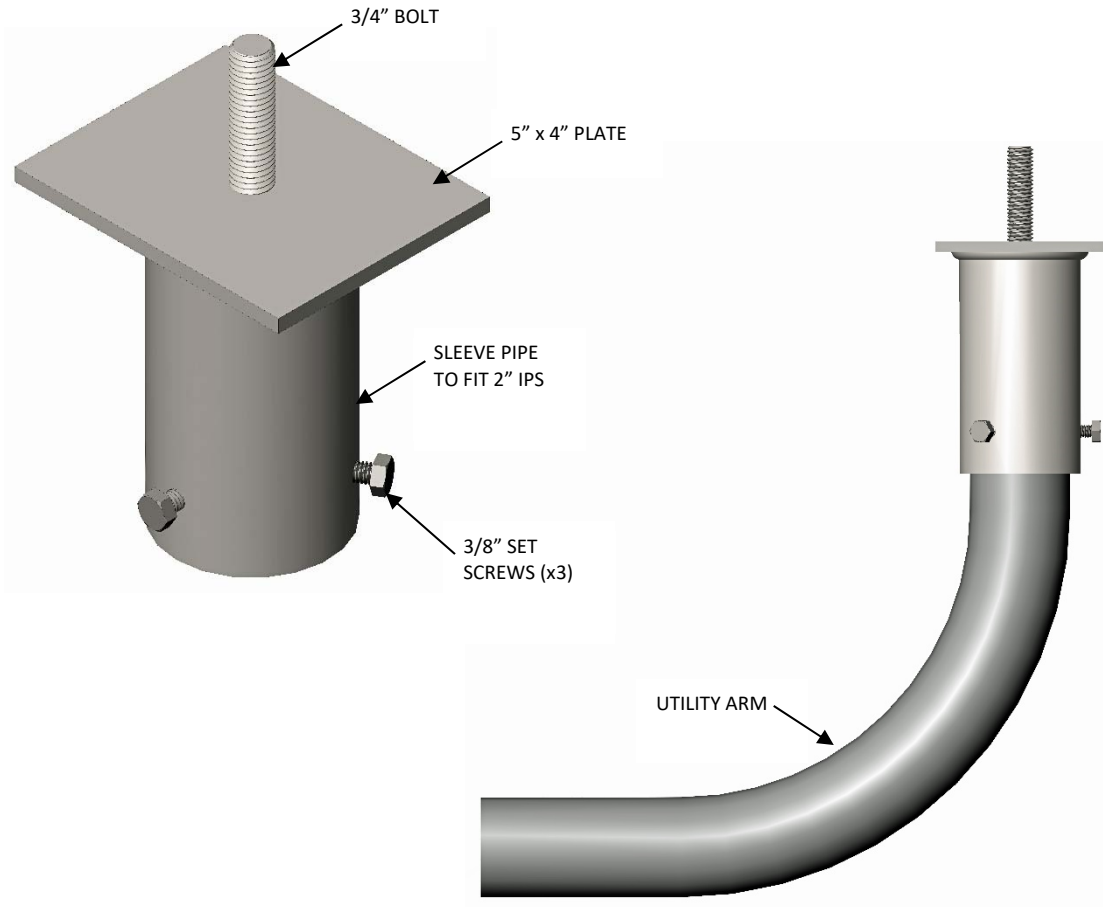


ALUMINUM	
CATALOG NUMBER	PIPE OD (in)
SFA-2-A	2

NOTES:

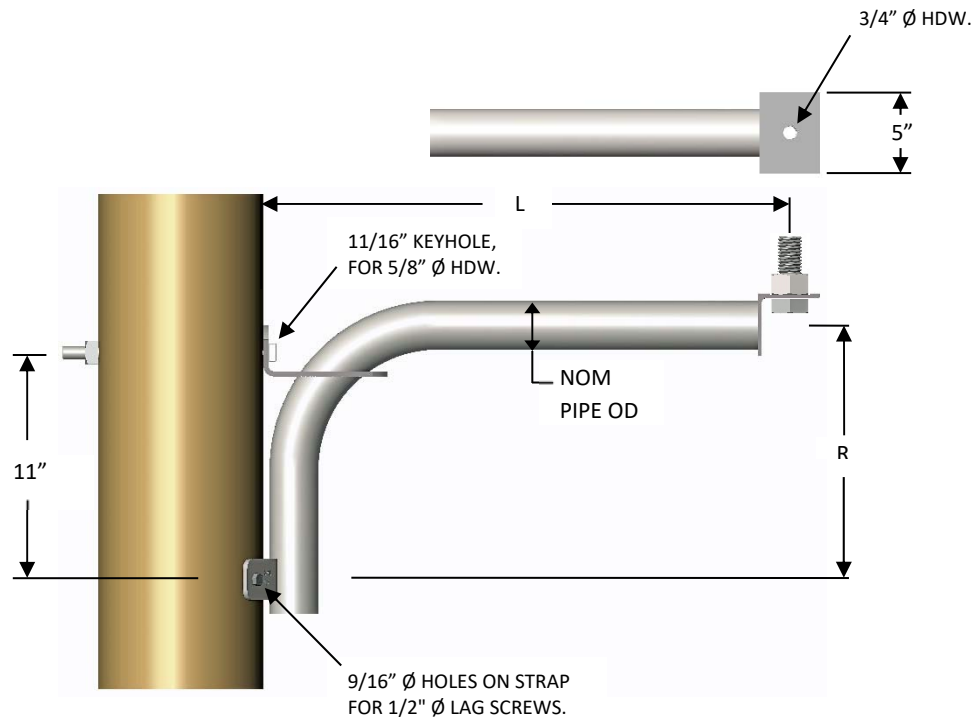
- 1) 2" IPS PIPE = 2.38" OD

## FA STYLE – FLOODLIGHT ADAPTER



<b>STEEL (HOT DIP GALV)</b>	<b>ALUMINUM</b>
<b>CATALOG NUMBER</b>	<b>CATALOG NUMBER</b>
FA-S	FA-A

**MAST ARM STYLE: SINGLE FLOODLIGHT ARM  
POLE TYPE: WOOD**

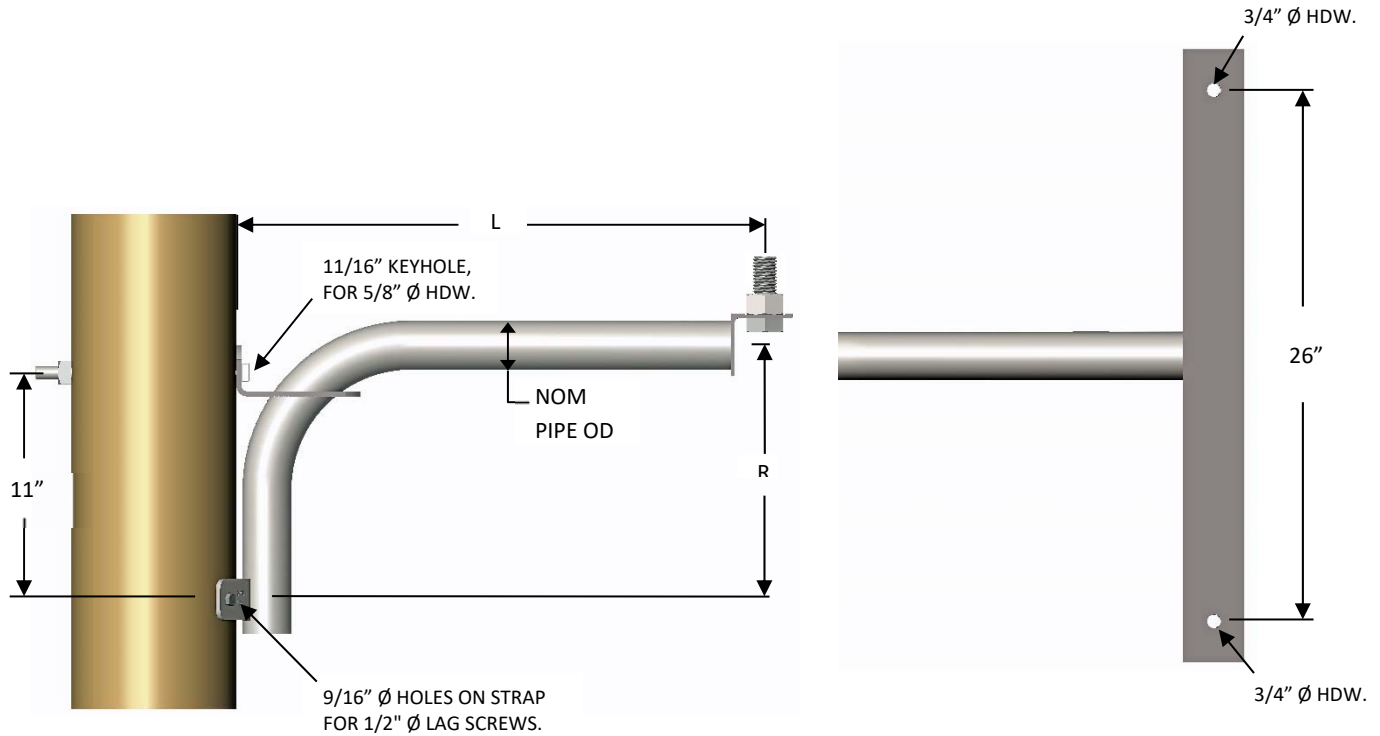


STEEL (HOT DIP GALV)				ALUMINUM			
CATALOG NUMBER	PIPE OD (in)	NOMINAL L (in)	RISE (in)	CATALOG NUMBER	PIPE OD (in)	NOMINAL L (ft)	RISE (in)
WPF-125-1.33-S	1.25	15	14	WPF-125-1.33-A	1.25	15	14
WPF-2-1.33-S	2	15	14	WPF-2-1.33-A	2	15	14
WPF-125-1.5-S	1.25	18	14	WPF-125-1.5-A	1.25	18	14
WPF-2-1.5-S	2	18	14	WPF-2-1.5-A	2	18	14
WPF-125-1.67-S	1.25	20	14	WPF-125-1.67-A	1.25	20	14
WPF-2-1.67-S	2	20	14	WPF-2-1.67-A	2	20	14
WPF-125-2-S	1.25	24	14	WPF-125-2-A	1.25	24	14
WPF-2-2-S	2	24	14	WPF-2-2-A	2	24	14
WPF-125-2.5-S	1.25	30	14	WPF-125-2.5-A	1.25	30	14
WPF-2-2.5-S	2	30	14	WPF-2-2.5-A	2	30	14
WPF-125-4-S	1.25	48	14	WPF-125-4-A	1.25	48	14
WPF-2-4-S	2	48	14	WPF-2-4-A	2	48	14

NOTES:

- 1) 1.25" IPS PIPE = 1.66" OD
- 2) 2" IPS PIPE = 2.38" OD

**MAST ARM STYLE: DOUBLE FLOODLIGHT ARM  
POLE TYPE: WOOD**

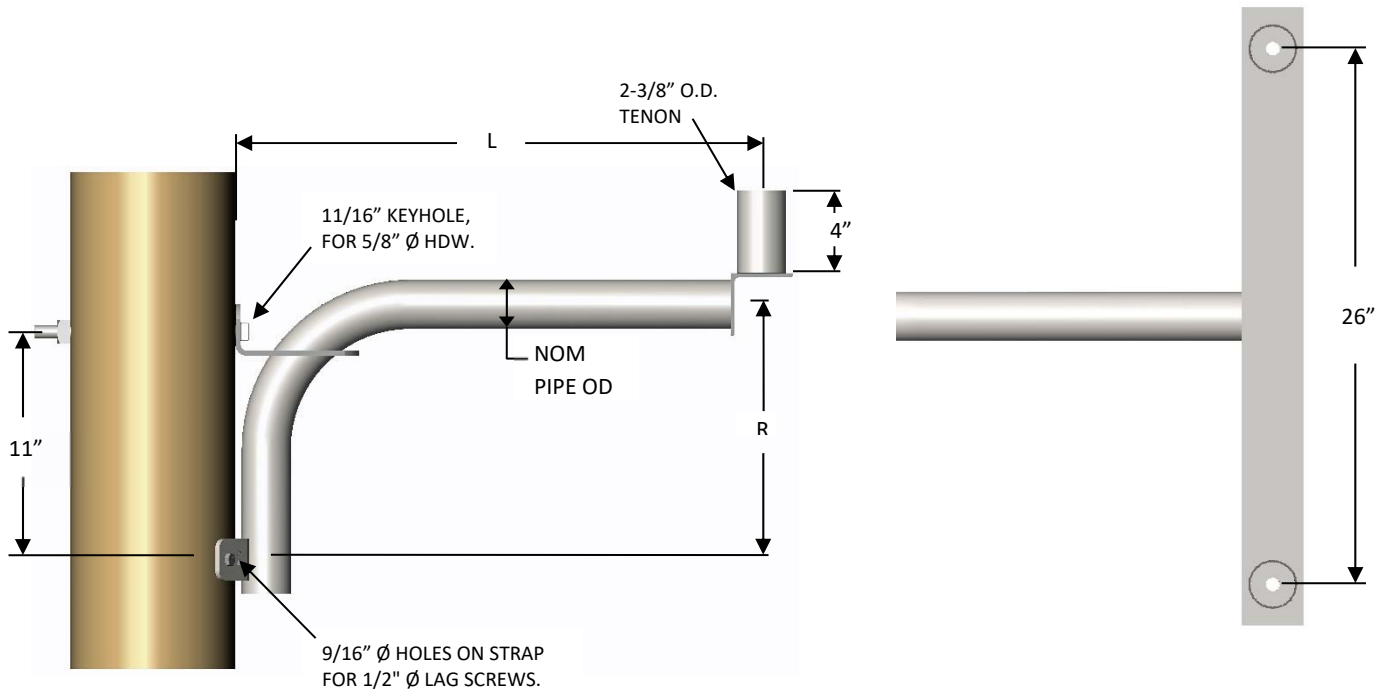


STEEL (HOT DIP GALV)				ALUMINUM			
CATALOG NUMBER	PIPE OD (in)	NOMINAL L (in)	RISE (in)	CATALOG NUMBER	PIPE OD (in)	NOMINAL L (ft)	RISE (in)
WP2F-125-1.33-S	1.25	15	14	WP2F-125-1.33-A	1.25	15	14
WP2F-2-1.33-S	2	15	14	WP2F-2-1.33-A	2	15	14
WP2F-125-1.5-S	1.25	18	14	WP2F-125-1.5-A	1.25	18	14
WP2F-2-1.5-S	2	18	14	WP2F-2-1.5-A	2	18	14
WP2F-125-1.67-S	1.25	20	14	WP2F-125-1.67-A	1.25	20	14
WP2F-2-1.67-S	2	20	14	WP2F-2-1.67-A	2	20	14
WP2F-125-2-S	1.25	24	14	WP2F-125-2-A	1.25	24	14
WP2F-2-2-S	2	24	14	WP2F-2-2-A	2	24	14
WP2F-125-2.5-S	1.25	30	14	WP2F-125-2.5-A	1.25	30	14
WP2F-2-2.5-S	2	30	14	WP2F-2-2.5-A	2	30	14
WP2F-125-4-S	1.25	48	14	WP2F-125-4-A	1.25	48	14
WP2F-2-4-S	2	48	14	WP2F-2-4-A	2	48	14

NOTES:

- 1) 1.25" IPS PIPE = 1.66" OD
- 2) 2" IPS PIPE = 2.38" OD

**MAST ARM STYLE: DOUBLE FLOODLIGHT ARM – TENON MOUNTING**  
**POLE TYPE: WOOD**



STEEL (HOT DIP GALV)				ALUMINUM			
CATALOG NUMBER	PIPE OD (in)	NOMINAL L (in)	RISE (in)	CATALOG NUMBER	PIPE OD (in)	NOMINAL L (ft)	RISE (in)
WP2FT-2-1.33-S	2	15	14	WP2FT-2-1.33-A	2	15	14
WP2FT-2-1.5-S	2	18	14	WP2FT-2-1.5-A	2	18	14
WP2FT-2-1.67-S	2	20	14	WP2FT-2-1.67-A	2	20	14
WP2FT-2-2-S	2	24	14	WP2FT-2-2-A	2	24	14
WP2FT-2-2.5-S	2	30	14	WP2FT-2-2.5-A	2	30	14
WP2FT-2-4-S	2	48	14	WP2FT-2-4-A	2	48	14

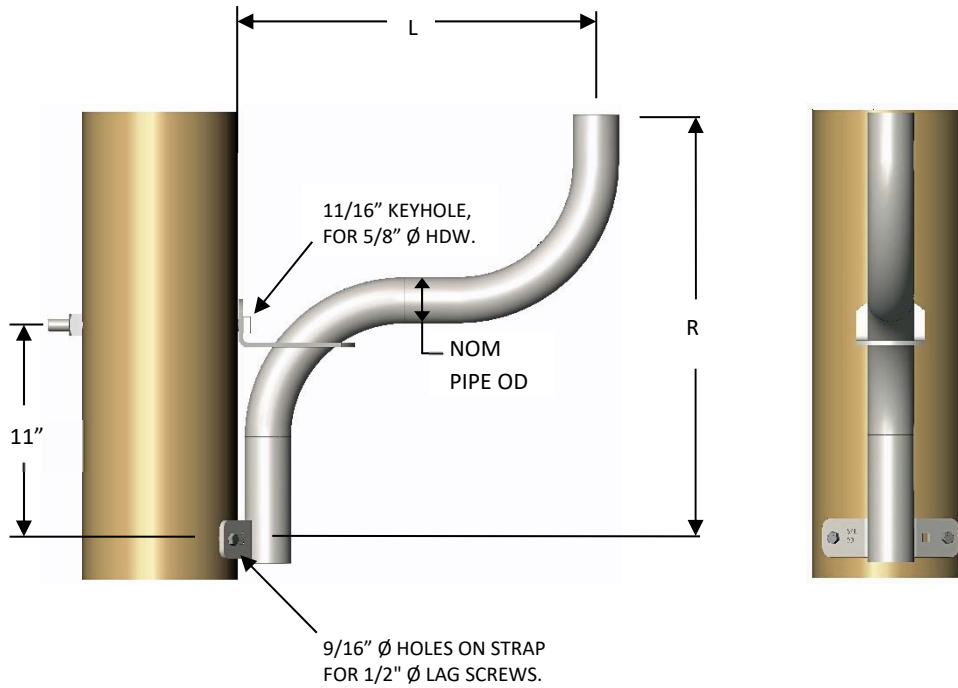
NOTES:

- 1) 2" IPS PIPE = 2.38" OD

# SALCo

Street and Area Lighting Co.

## MAST ARM STYLE: SINGLE BULLHORN FLOODLIGHT UNIT POLE TYPE: WOOD



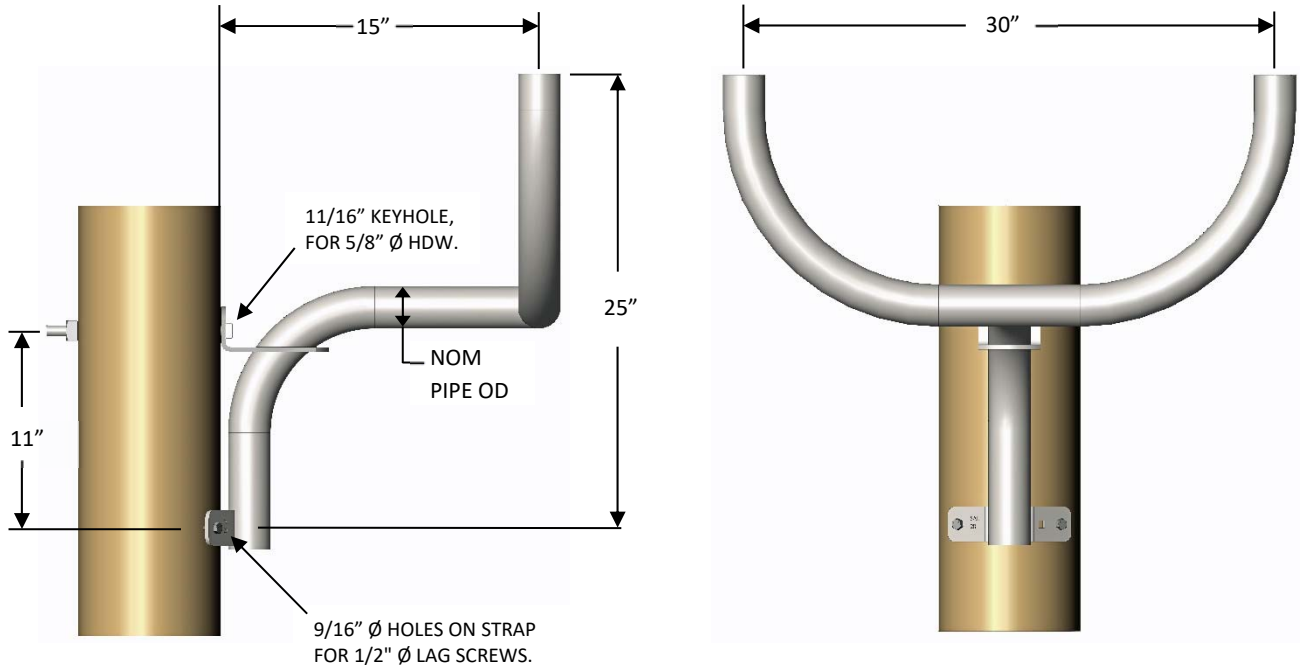
STEEL (HOT DIP GALV)				ALUMINUM			
CATALOG NUMBER	PIPE OD (in)	NOMINAL L (in)	RISE (in)	CATALOG NUMBER	PIPE OD (in)	NOMINAL L (ft)	RISE (in)
WPBH1-7-S	2	7	20	WPBH1-7-A	2	7	20
WPBH1-18-S	2	18	23	WPBH1-18-A	2	18	23

NOTES:

- 1) 2" IPS PIPE = 2.38" OD



**MAST ARM STYLE: DOUBLE BULLHORN FLOODLIGHT UNIT**  
**POLE TYPE: WOOD**

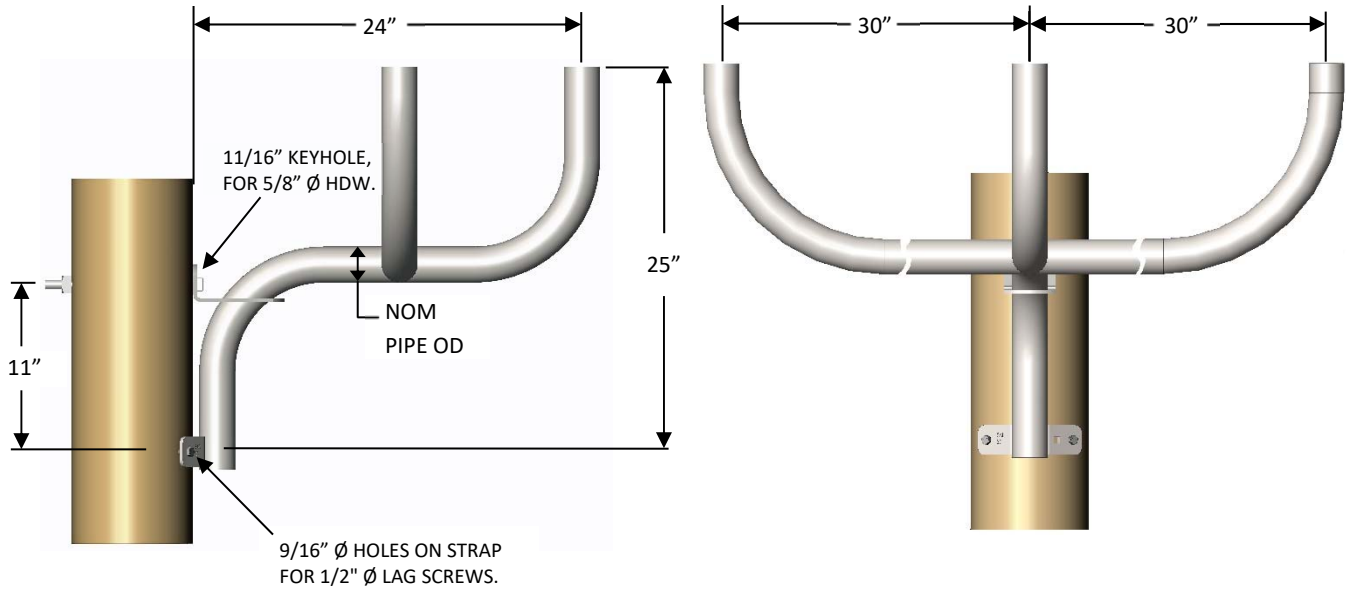


STEEL (HOT DIP GALV)		ALUMINUM	
CATALOG NUMBER	PIPE OD (in)	CATALOG NUMBER	PIPE OD (in)
WPBH2-2-S	2	WPBH2-2-A	2

NOTES:

- 1) 2" IPS PIPE = 2.38" OD

**MAST ARM STYLE: TRIPLE BULLHORN FLOODLIGHT UNIT**  
**POLE TYPE: WOOD**

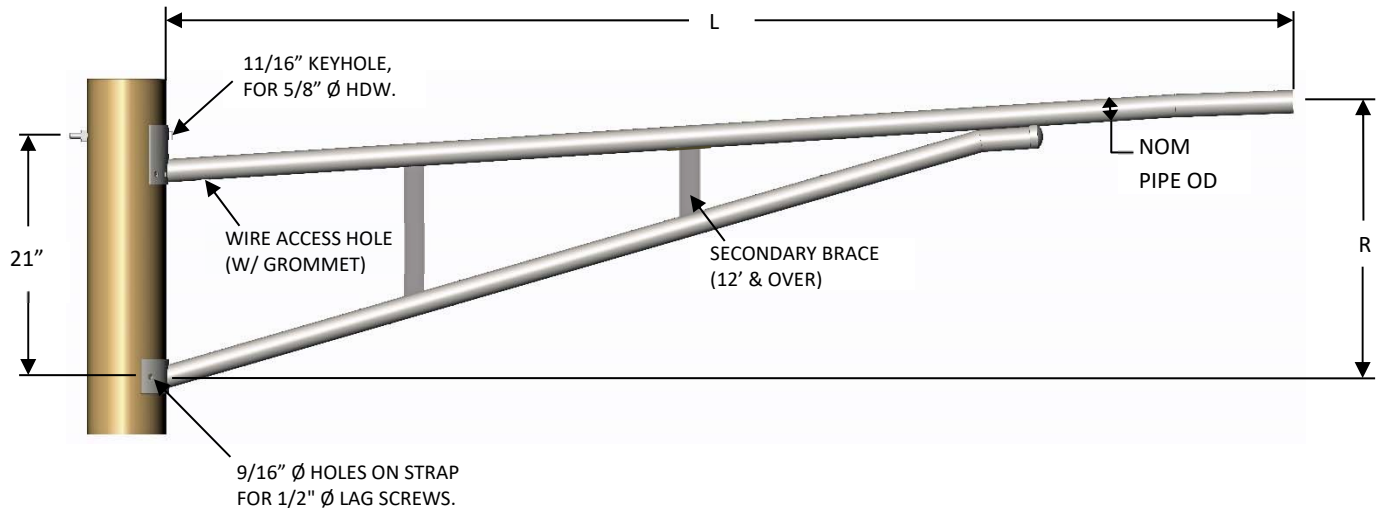


STEEL (HOT DIP GALV)		ALUMINUM	
CATALOG NUMBER	PIPE OD (in)	CATALOG NUMBER	PIPE OD (in)
WPBH3-2-S	2	WPBH3-2-A	2

NOTES:

- 1) 2" IPS PIPE = 2.38" OD

**MAST ARM STYLE: TRUSS MAST ARM  
POLE TYPE: WOOD**

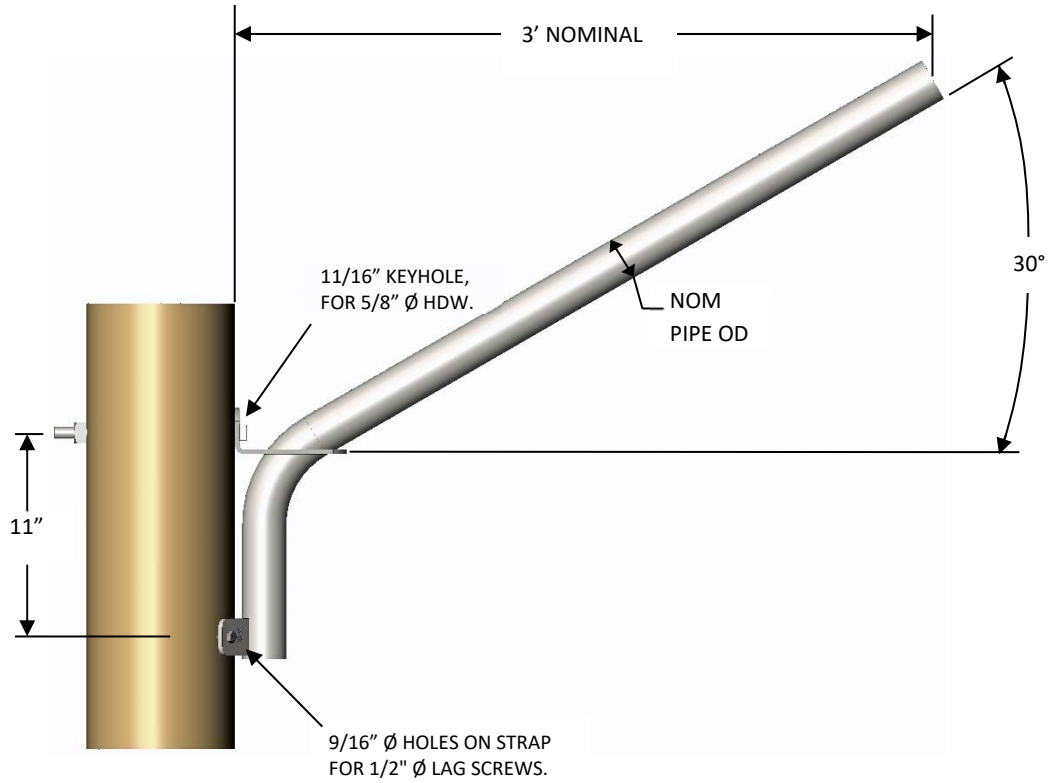


STEEL (HOT DIP GALV)				ALUMINUM			
CATALOG NUMBER	PIPE OD (in)	NOMINAL L (ft)	RISE (in)	CATALOG NUMBER	PIPE OD (in)	NOMINAL L (ft)	RISE (in)
WPT-2-10-S	2	10	28	WPT-2-10-A	2	10	28
WPT-2-12-S	2	12	36	WPT-2-12-A	2	12	36
WPT-2-14-S	2	14	44	WPT-2-14-A	2	14	44
WPT-2-15-S	2	15	48	WPT-2-15-A	2	15	48
WPT-2-16-S	2	16	52	WPT-2-16-A	2	16	52
WPT-2-18-S	2	18	60	WPT-2-18-A	2	18	60
WPT-2-20-S	2	20	67	WPT-2-20-A	2	20	67

NOTES:

- 1) 2" IPS PIPE = 2.38" OD

**MAST ARM STYLE: CANTILEVER STYLE MAST ARM  
POLE TYPE: WOOD**

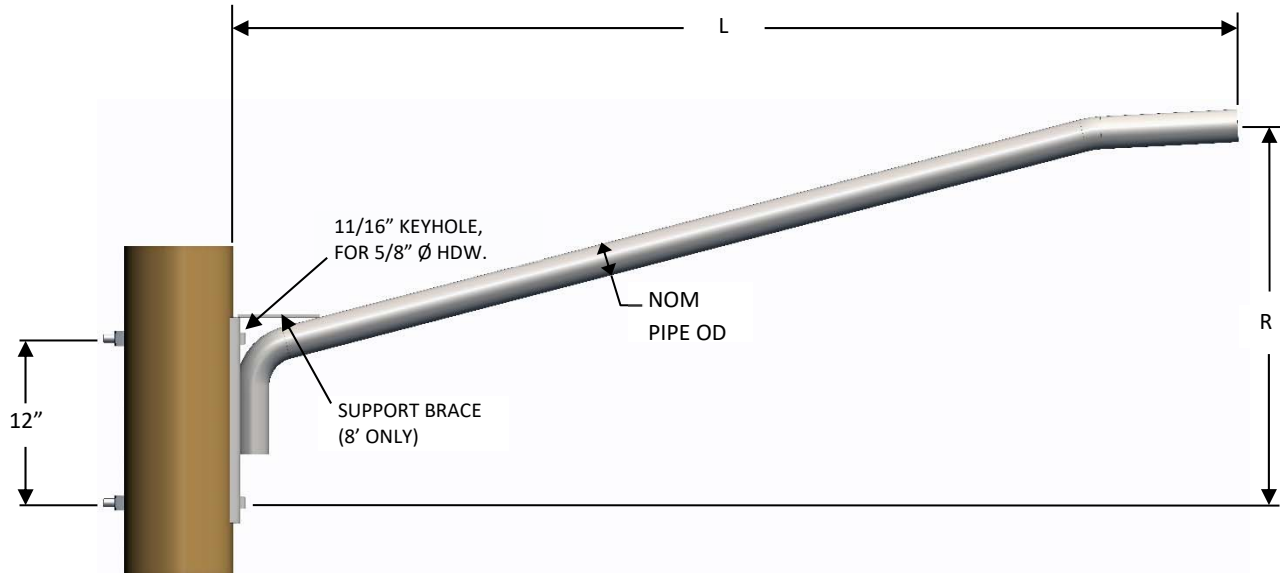


<b>STEEL (HOT DIP GALV)</b>		<b>ALUMINUM</b>	
<b>CATALOG NUMBER</b>	<b>PIPE OD (in)</b>	<b>CATALOG NUMBER</b>	<b>PIPE OD (in)</b>
WPHR-2-3-S	2	WPHR-2-3-A	2

NOTES:

- 1) 2" IPS PIPE = 2.38" OD

**MAST ARM STYLE: CANTILEVER STYLE MAST ARM  
POLE TYPE: CONCRETE / WOOD**



STEEL (HOT DIP GALV)				ALUMINUM			
CATALOG NUMBER	PIPE OD (in)	NOMINAL L (ft)	RISE (in)	CATALOG NUMBER	PIPE OD (in)	NOMINAL L (ft)	RISE (in)
CP-125-1.67-S	1.25	1.67	13	CP-125-1.67-A	1.25	1.67	13
CP-125-2-S	1.25	2	13	CP-125-2-A	1.25	2	13
CP-125-2.5-S	1.25	2.5	16	CP-125-2.5-A	1.25	2.5	16
CP-125-4-S	1.25	4	19	CP-125-4-A	1.25	4	19
CP-2-6-S	2	6	24	CP-2-6-A	2	6	24
CP-2-8S	2	8	30	CP-2-8A	2	8	30

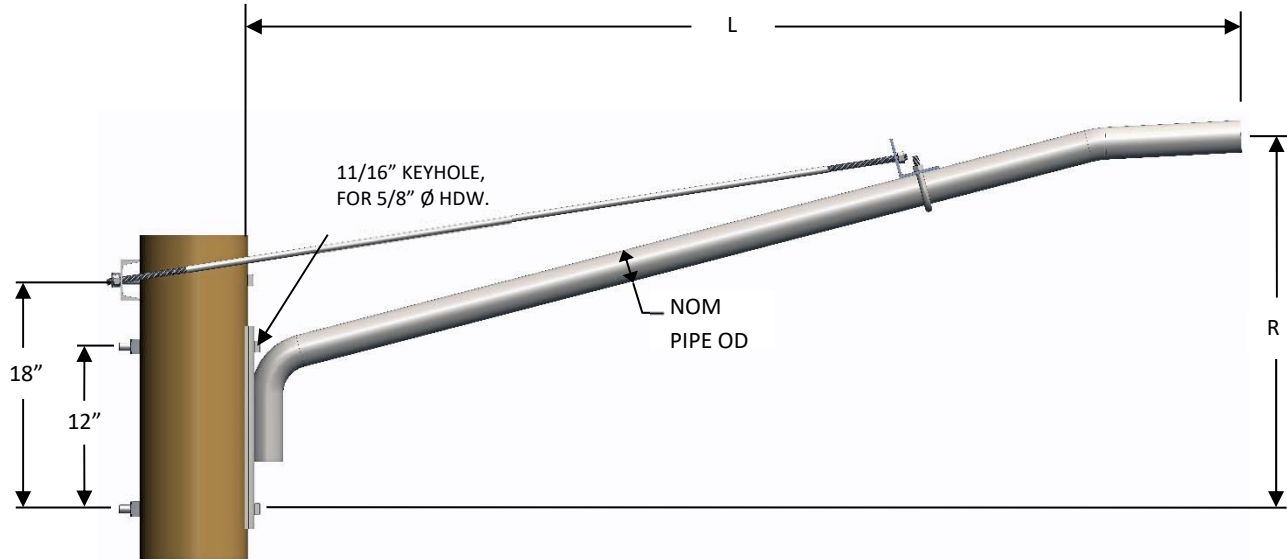
NOTES:

- 1) 1.25" IPS PIPE = 1.66" OD
- 2) 2" IPS PIPE = 2.38" OD

# SALCo

Street and Area Lighting Co.

**MAST ARM STYLE: CANTILEVER STYLE MAST ARM W/ DOUBLE GUY RODS**  
**POLE TYPE: CONCRETE / WOOD**

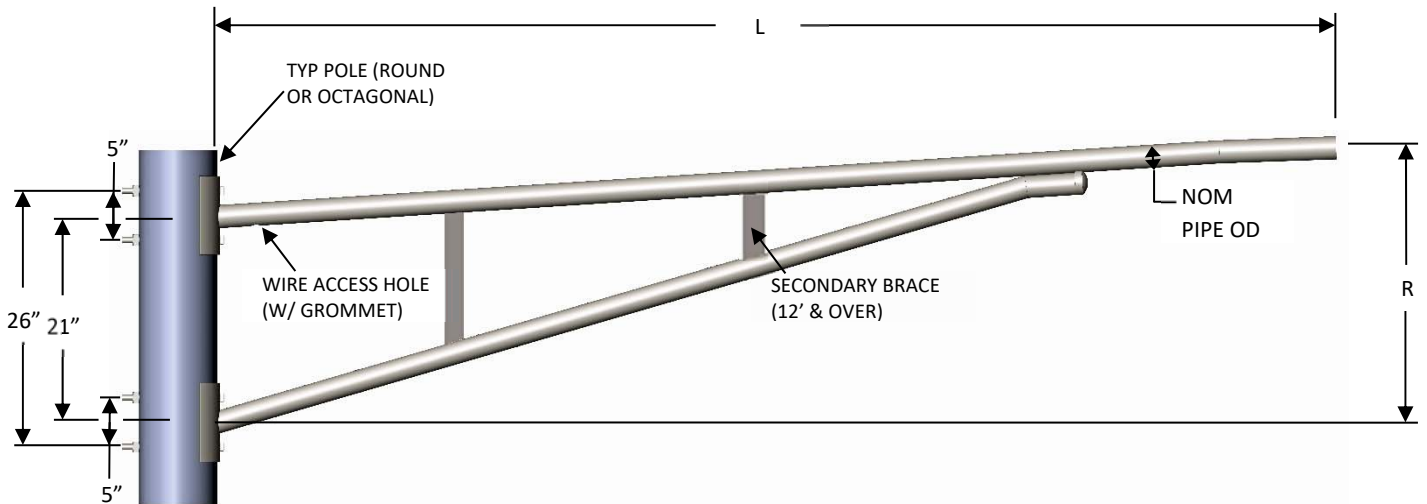


STEEL (HOT DIP GALV)				ALUMINUM			
CATALOG NUMBER	PIPE OD (in)	NOMINAL L (ft)	RISE (in)	CATALOG NUMBER	PIPE OD (in)	NOMINAL L (ft)	RISE (in)
CPDG-2-10-S	2	10	35	CPDG-2-10-A	2	10	35
CPDG-2-12-S	2	12	41	CPDG-2-12-A	2	12	41
CPDG-2-14-S	2	14	47	CPDG-2-14-A	2	14	47

NOTES:

- 1) 2" IPS PIPE = 2.38" OD

**MAST ARM STYLE: TRUSS MASTARM  
POLE TYPE: CONCRETE**

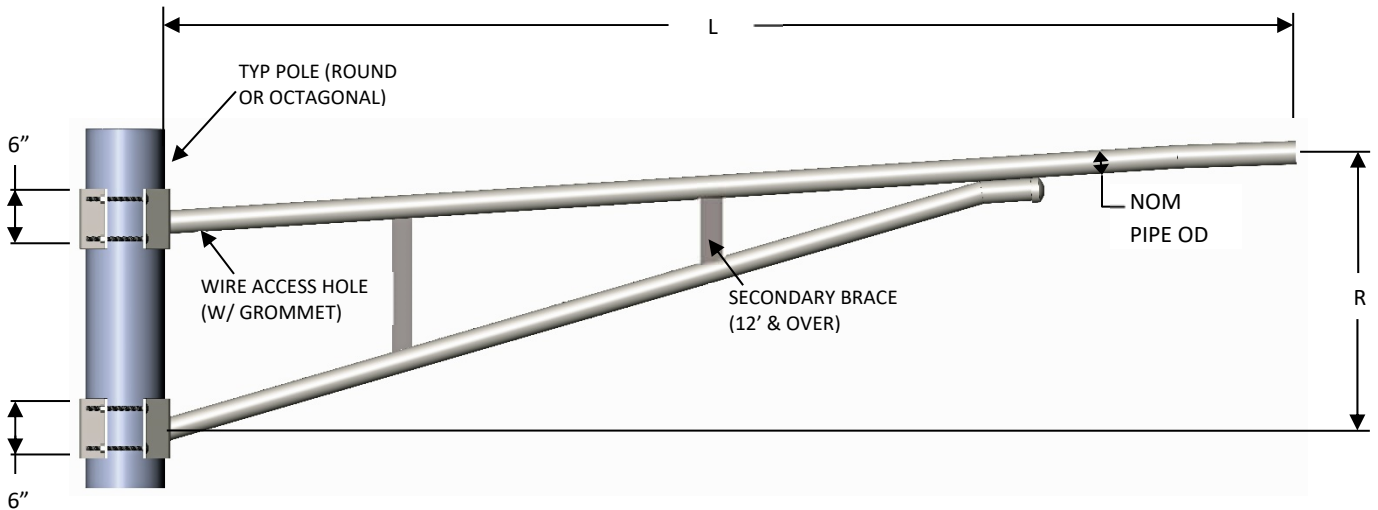


STEEL (HOT DIP GALV)				ALUMINUM			
CATALOG NUMBER	PIPE OD (in)	NOMINAL L (ft)	RISE (in)	CATALOG NUMBER	PIPE OD (in)	NOMINAL L (ft)	RISE (in)
CPT-2-12-S	2	12	36	CPT-2-12-A	2	12	36
CPT-2-14-S	2	14	44	CPT-2-14-A	2	14	44
CPT-2-15-S	2	15	48	CPT-2-15-A	2	15	48
CPT-2-16-S	2	16	52	CPT-2-16-A	2	16	52

NOTES:

- 1) 2" IPS PIPE = 2.38" OD

**MAST ARM STYLE: CLAMP-ON TRUSS MASTARM**  
**POLE TYPE: CONCRETE**



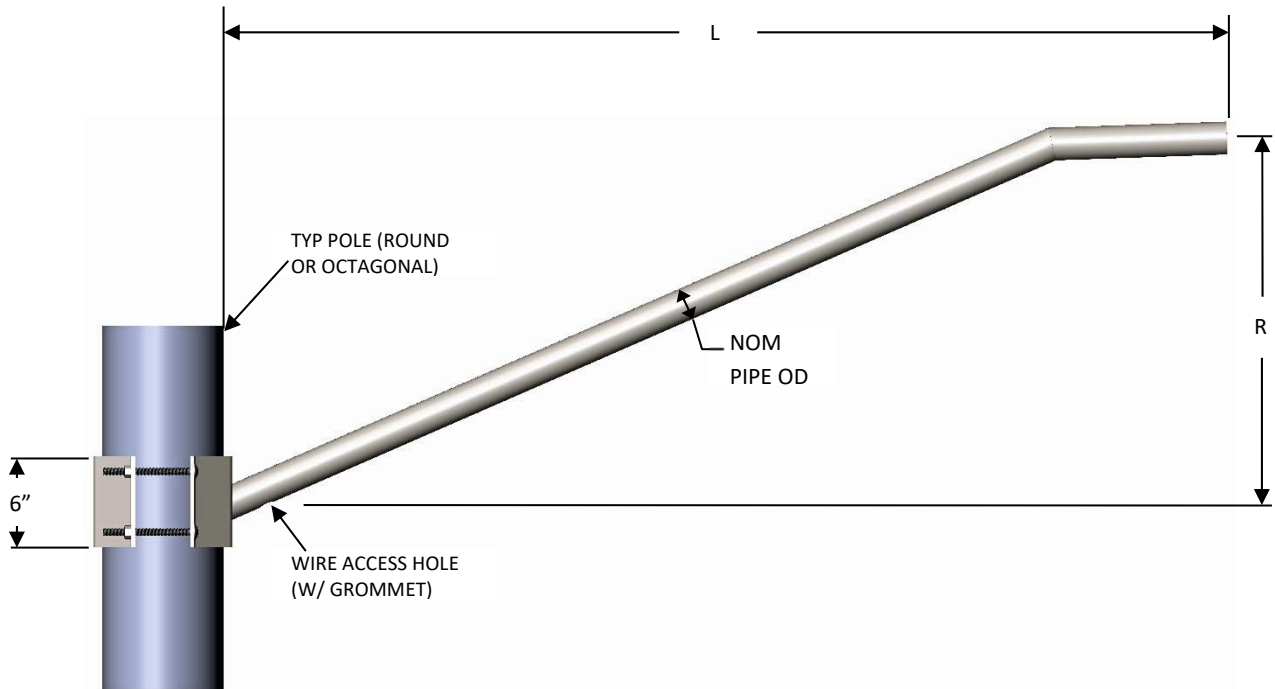
STEEL (HOT DIP GALV)				ALUMINUM			
CATALOG NUMBER	PIPE OD (in)	NOMINAL L (ft)	RISE (in)	CATALOG NUMBER	PIPE OD (in)	NOMINAL L (ft)	RISE (in)
COT-2-10-S	2	10	28	COT-2-10-A	2	10	28
COT-2-12-S	2	12	36	COT-2-12-A	2	12	36
COT-2-14-S	2	14	44	COT-2-14-A	2	14	44
COT-2-16-S	2	16	52	COT-2-16-A	2	16	52
COT-2-18-S	2	18	60	COT-2-18-A	2	18	60
COT-2-20-S	2	20	67	COT-2-20-A	2	20	67

NOTES:

- 1) 2" IPS PIPE = 2.38" OD



**MAST ARM STYLE: CLAMP-ON CANTILEVER MAST ARM**  
**POLE TYPE: CONCRETE**

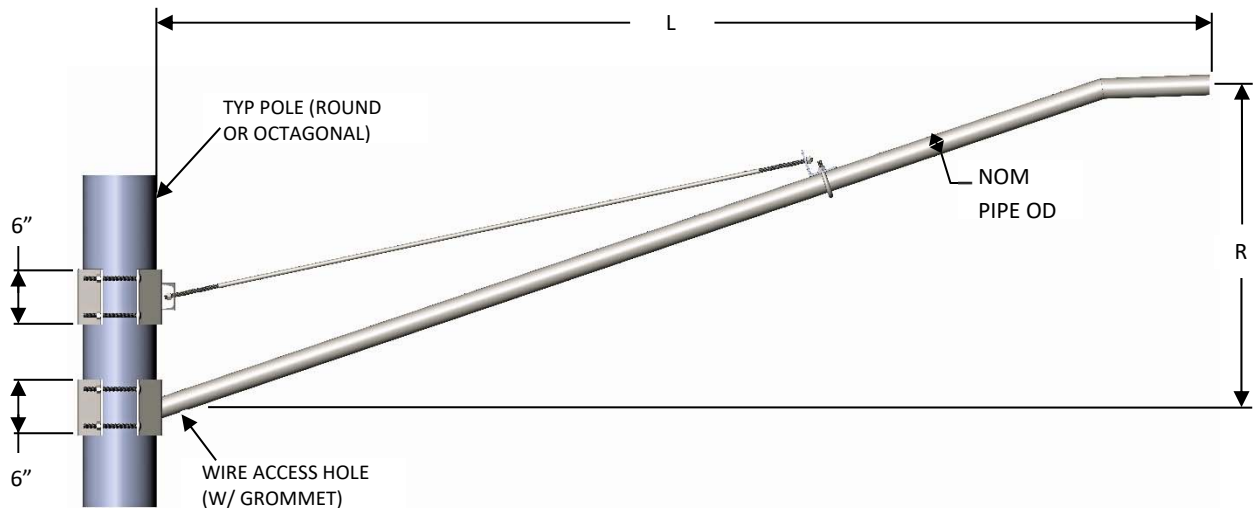


STEEL (HOT DIP GALV)				ALUMINUM			
CATALOG NUMBER	PIPE OD (in)	NOMINAL L (ft)	RISE (in)	CATALOG NUMBER	PIPE OD (in)	NOMINAL L (ft)	RISE (in)
CO-2-4-S	2	4	19	CO-2-4-A	2	4	19
CO-2-6-S	2	6	24	CO-2-6-A	2	6	24
CO-2-8-S	2	8	30	CO-2-8-A	2	8	30

NOTES:

- 1) 2" IPS PIPE = 2.38" OD

**MAST ARM STYLE: CLAMP-ON DOUBLE GUY ROD MAST ARM  
POLE TYPE: CONCRETE**



STEEL (HOT DIP GALV)				ALUMINUM			
CATALOG NUMBER	PIPE OD (in)	NOMINAL L (ft)	RISE (in)	CATALOG NUMBER	PIPE OD (in)	NOMINAL L (ft)	RISE (in)
CODG-2-10-S	2	10	35	CODG-2-10-A	2	10	35
CODG-2-12-S	2	12	41	CODG-2-12-A	2	12	41
CODG-2-14-S	2	14	47	CODG-2-14-A	2	14	47
CODG-2-16-S	2	16	52	CODG-2-16-A	2	16	52

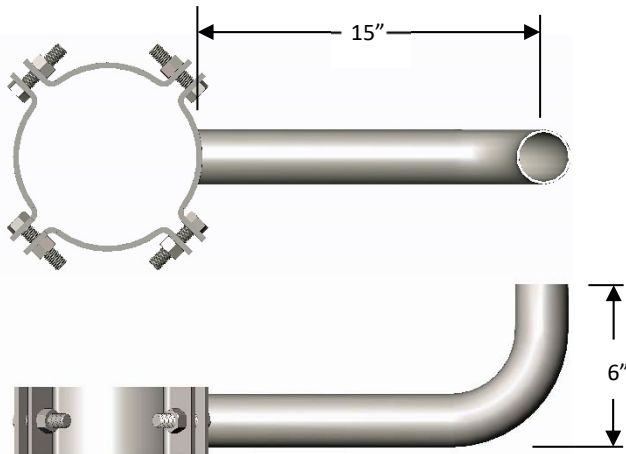
NOTES:

- 1) 2" IPS PIPE = 2.38" OD

# SALCo

Street and Area Lighting Co.

## MAST ARM STYLE: WRAP AROUND BRACKET POLE TYPE: CONCRETE / STEEL

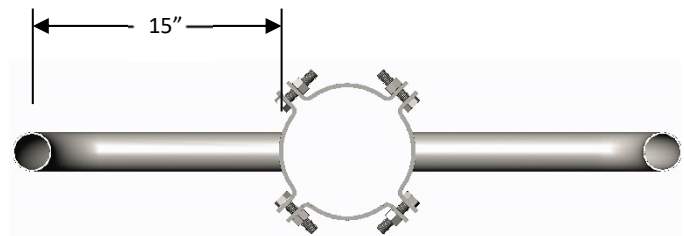


SINGLE ARM		
STEEL (HOT DIP GALV)		
CATALOG NUMBER	POLE DIA.	PIPE OD (in)
CO-1-10	7 - 10	2
CO-1-13	10 - 13	2

NOTES:

- 1) 2" IPS PIPE = 2.38" OD

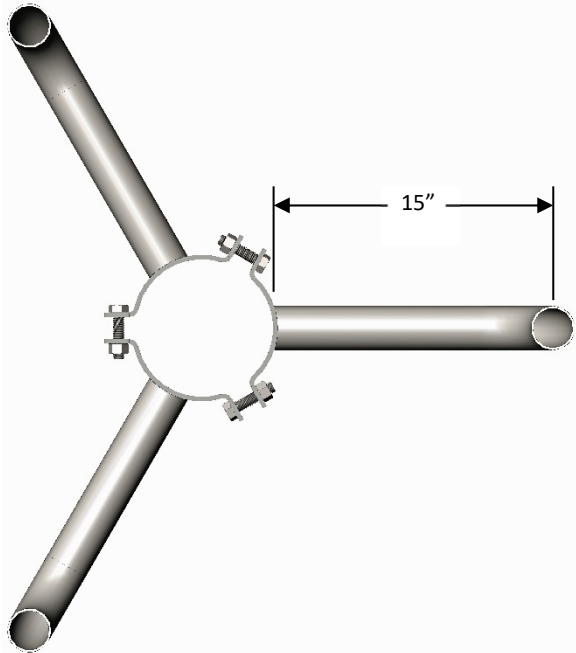
DOUBLE ARM		
STEEL (HOT DIP GALV)		
CATALOG NUMBER	POLE DIA.	PIPE OD (in)
CO-2-10	7 - 10	2
CO-2-13	10 - 13	2



NOTES:

- 1) 2" IPS PIPE = 2.38" OD

**MAST ARM STYLE: WRAP AROUND BRACKET**  
**POLE TYPE: CONCRETE / STEEL**



<b>TRIPLE ARM</b>		
<b>STEEL (HOT DIP GALV)</b>		
<b>CATALOG NUMBER</b>	<b>POLE DIA.</b>	<b>PIPE OD (in)</b>
CO-3-10	7 - 10	2
CO-3-13	10 - 13	2

NOTES:

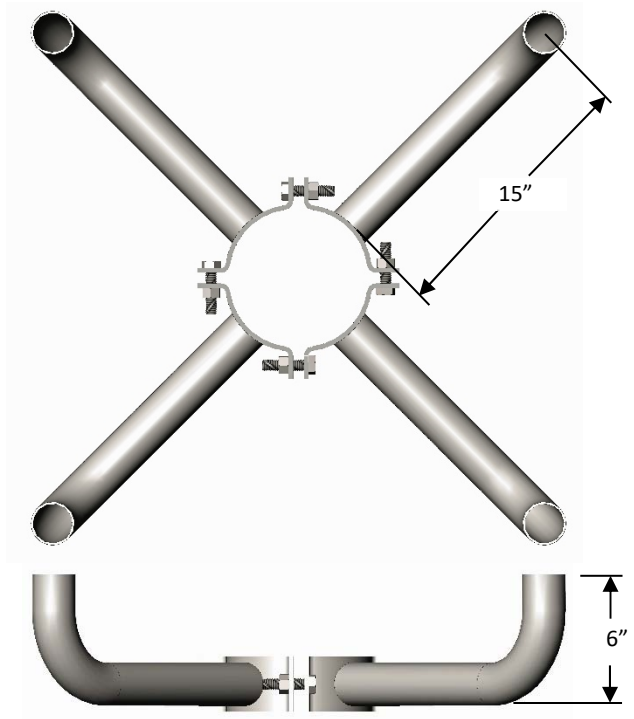
- 1) 2" IPS PIPE = 2.38" OD



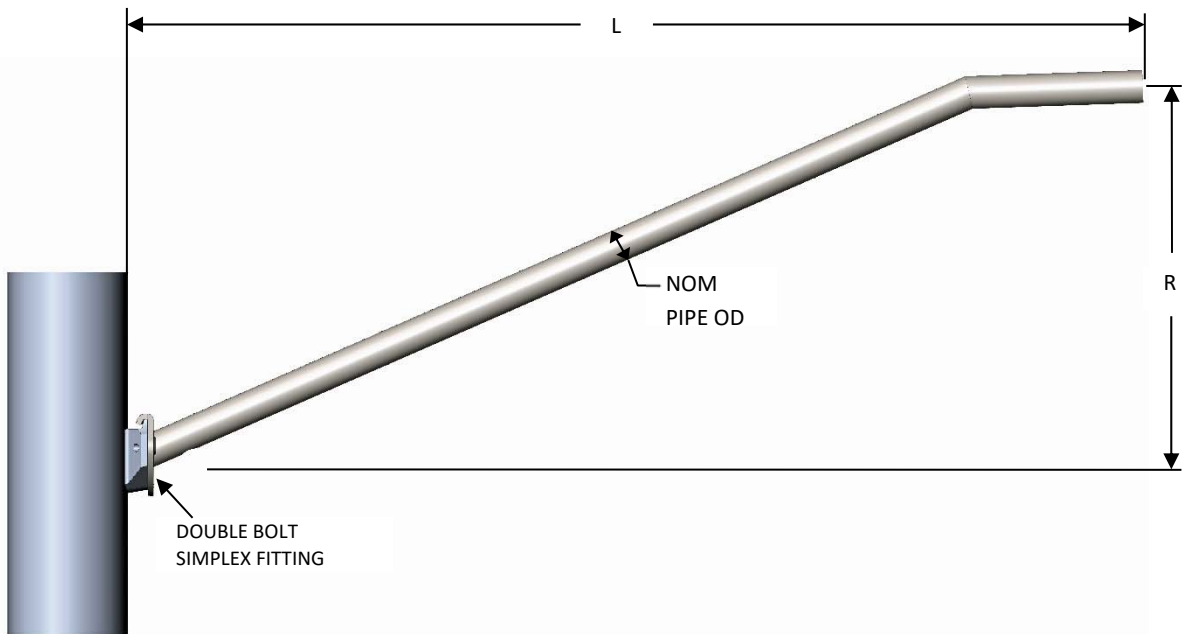
<b>QUAD ARM</b>		
<b>STEEL (HOT DIP GALV)</b>		
<b>CATALOG NUMBER</b>	<b>POLE DIA.</b>	<b>PIPE OD (in)</b>
CO-4-10	7 - 10	2
CO-4-13	10 - 13	2

NOTES:

- 1) 2" IPS PIPE = 2.38" OD



**MAST ARM STYLE: DOUBLE BOLT SIMPLEX – CANTILEVER MAST ARM**  
**POLE TYPE: STEEL**

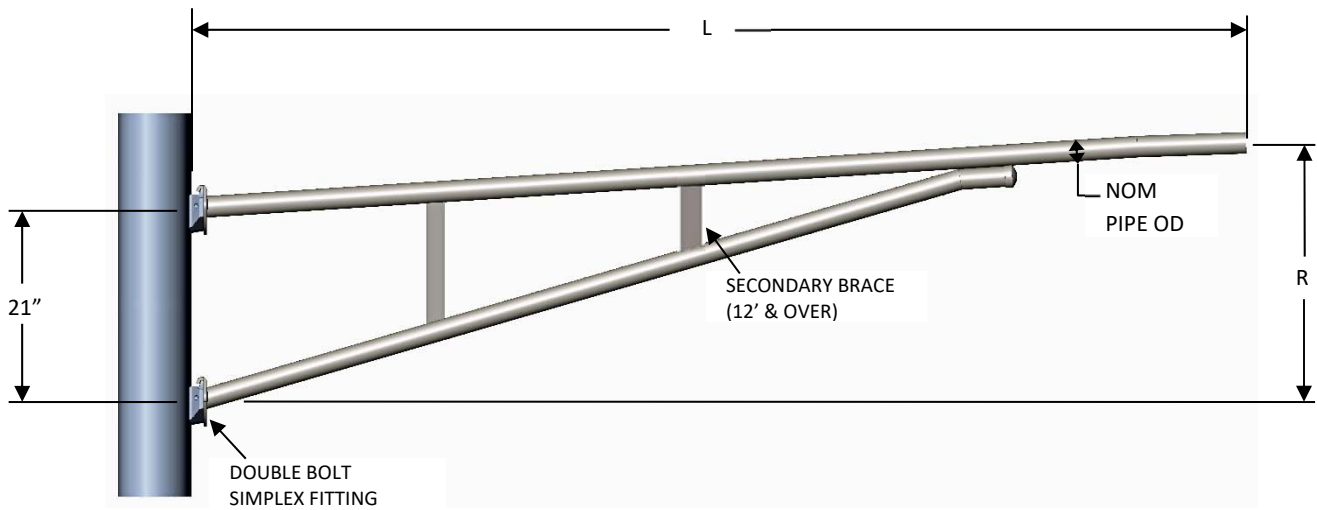


<b>STEEL (HOT DIP GALV)</b>			
<b>CATALOG NUMBER</b>	<b>PIPE OD (in)</b>	<b>NOMINAL L (ft)</b>	<b>RISE (in)</b>
2BS-2-4-S	2	4	19
2BS-2-6-S	2	6	24
2BS-2-8-S	2	8	30

NOTES:

- 1) 2" IPS PIPE = 2.38" OD

**MAST ARM STYLE: DOUBLE BOLT SIMPLEX – TRUSS MAST ARM**  
**POLE TYPE: STEEL**

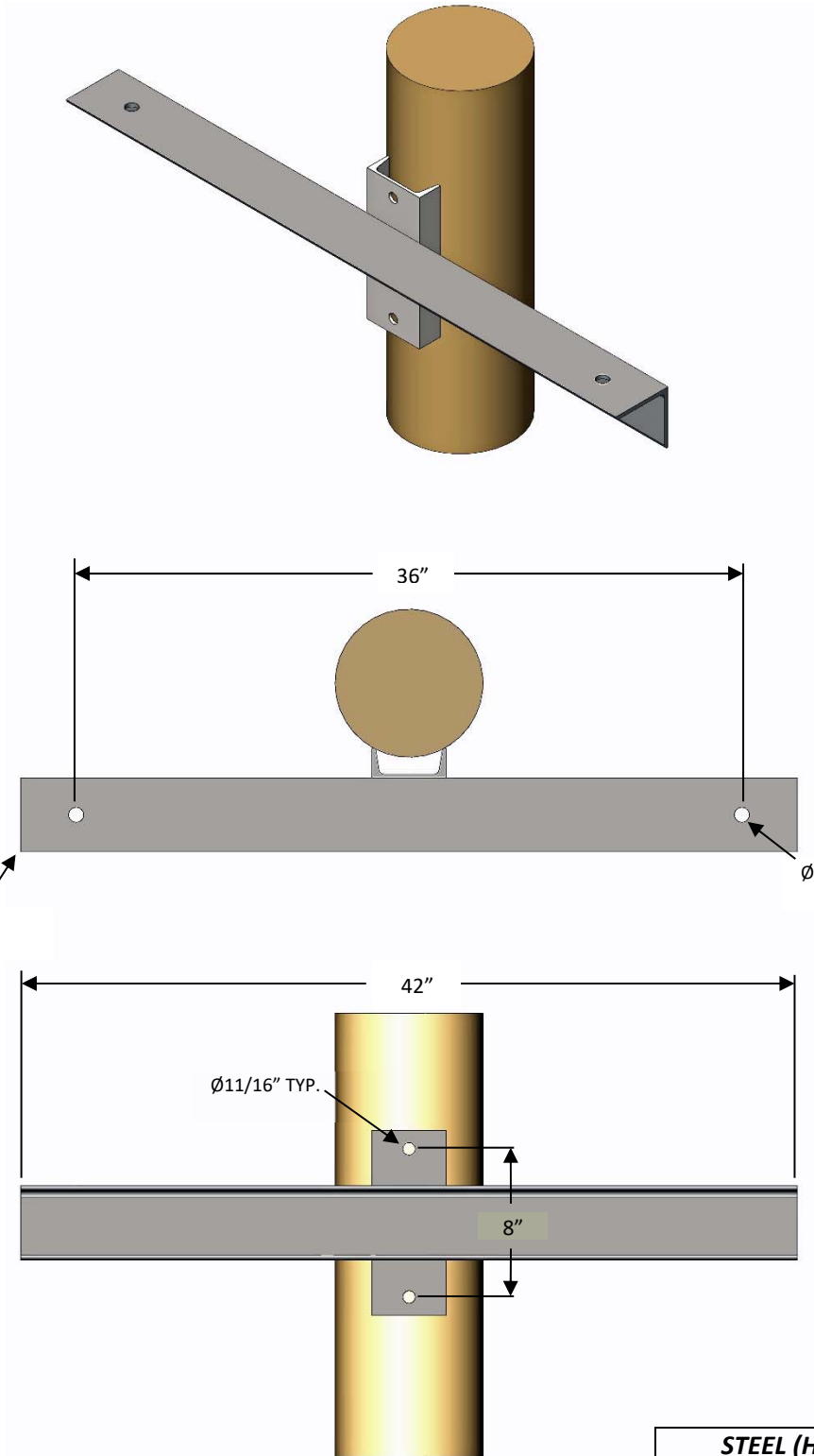


<b>STEEL (HOT DIP GALV)</b>			
<b>CATALOG NUMBER</b>	<b>PIPE OD (in)</b>	<b>NOMINAL L (ft)</b>	<b>RISE (in)</b>
2BST-2-10-S	2	10	35
2BST-2-12-S	2	12	41
2BST-2-14-S	2	14	47
2BST-2-16-S	2	16	52

NOTES:

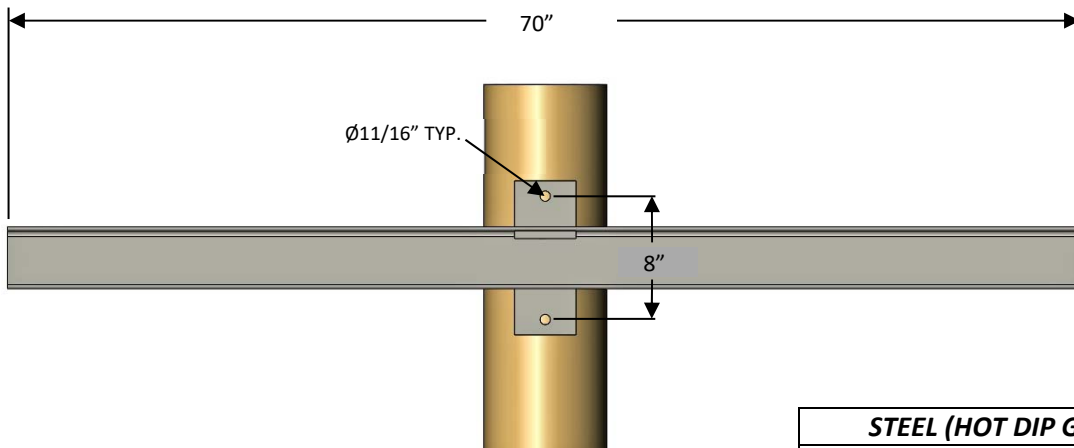
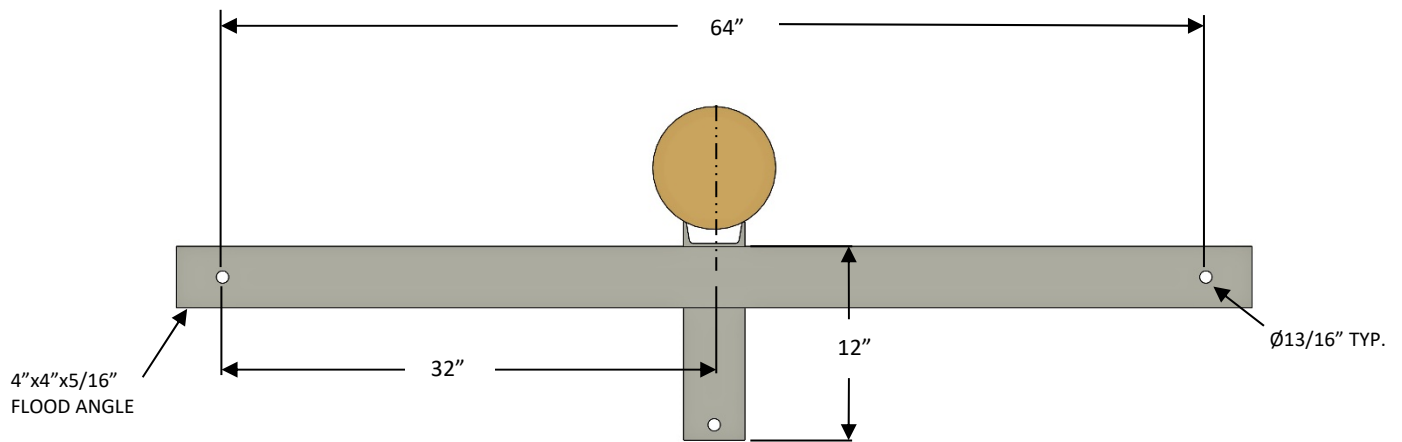
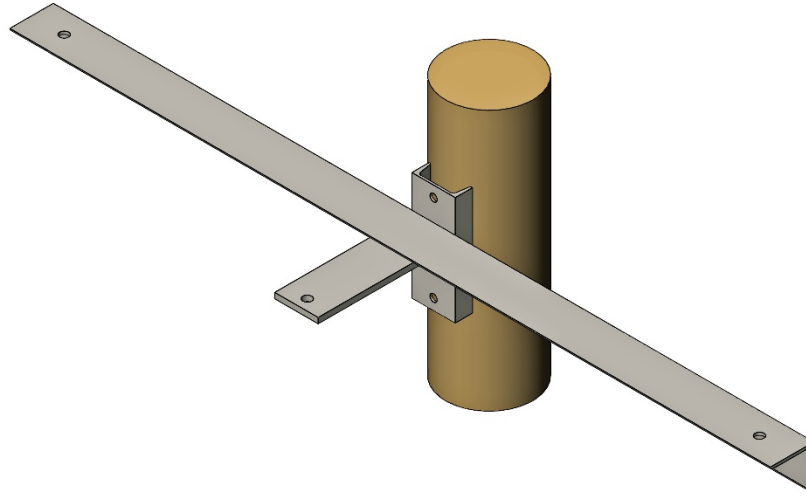
- 1) 2" IPS PIPE = 2.38" OD

**MAST ARM STYLE: TWO WAY BALL FIELD LIGHTING BRACKET**  
**POLE TYPE: WOOD**



<b>STEEL (HOT DIP GALV)</b>
<b>CATALOG NUMBER</b>
DL-2F

**MAST ARM STYLE: THREE WAY BALL FIELD LIGHTING BRACKET**  
**POLE TYPE: WOOD**



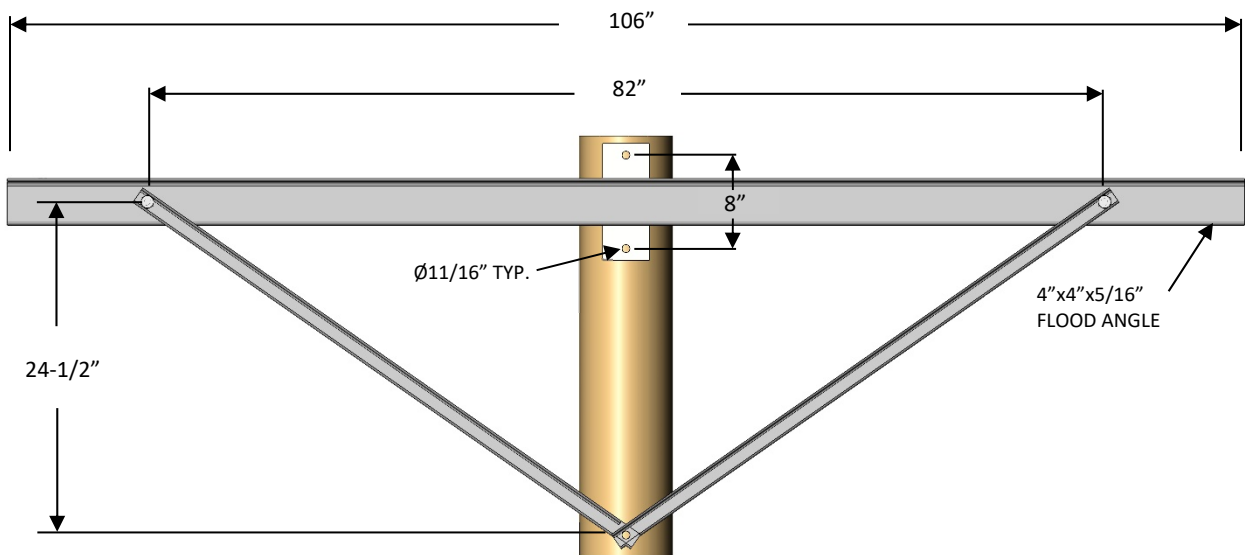
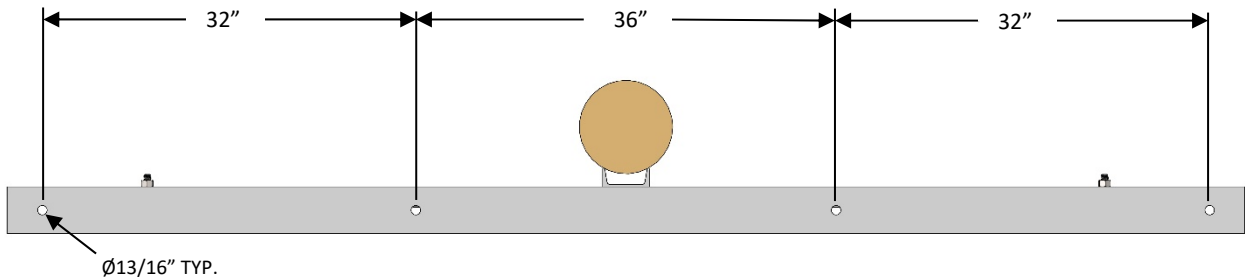
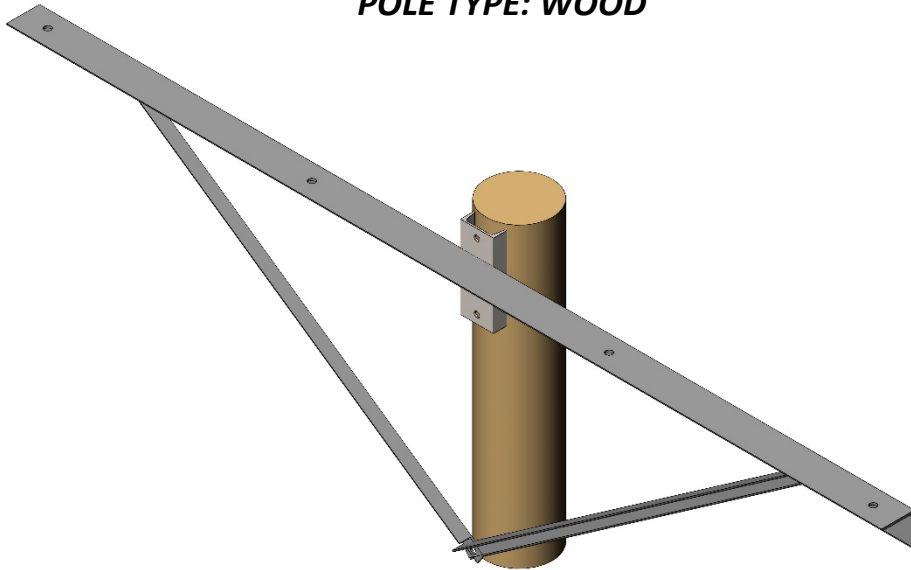
<b>STEEL (HOT DIP GALV)</b>
<b>CATALOG NUMBER</b>
DL-3F



# SALCo

Street and Area Lighting Co.

## MAST ARM STYLE: FOUR WAY BALL FIELD LIGHTING BRACKET POLE TYPE: WOOD

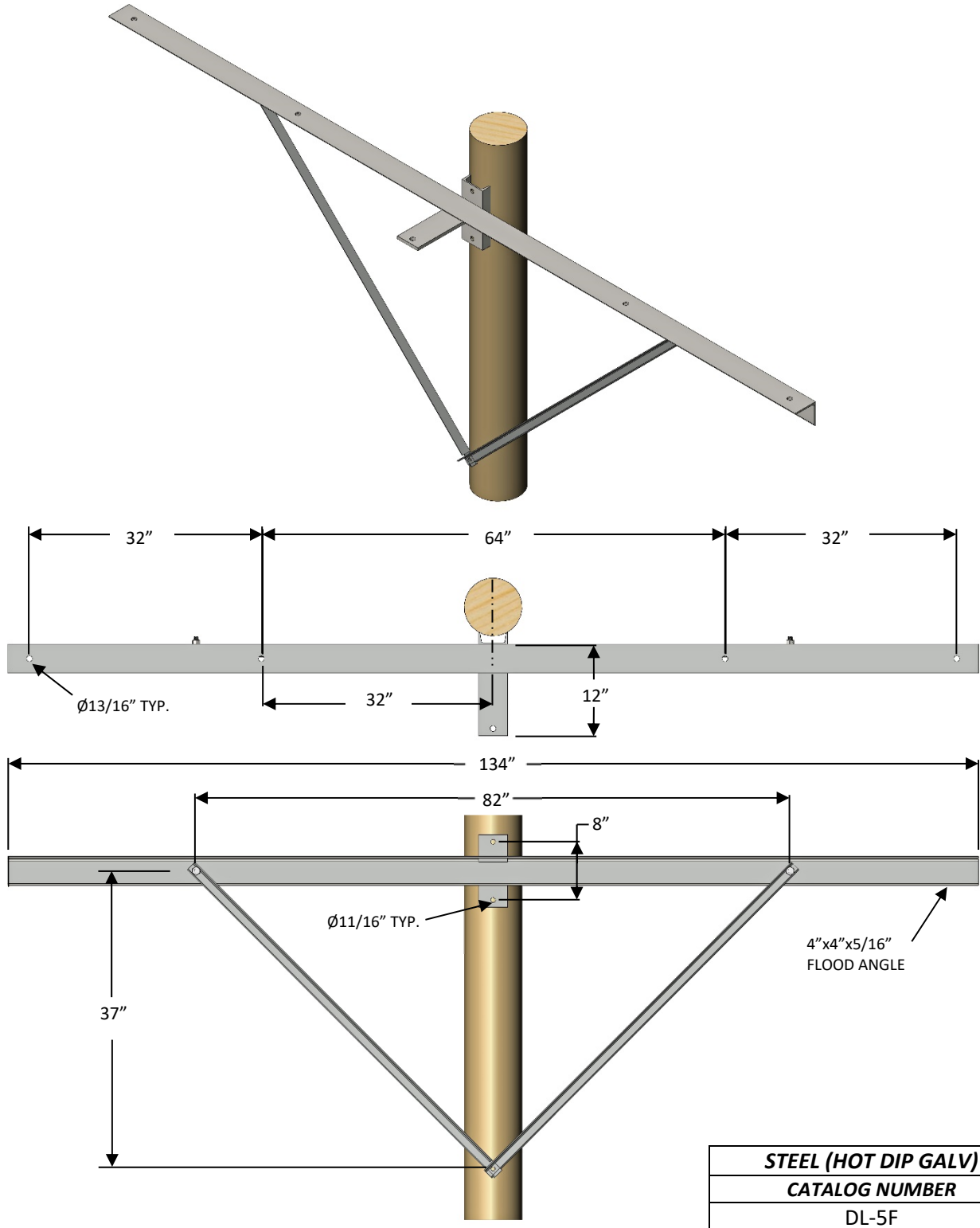


<b>STEEL (HOT DIP GALV)</b>
<b>CATALOG NUMBER</b>
DL-4F

# SALCo

Street and Area Lighting Co.

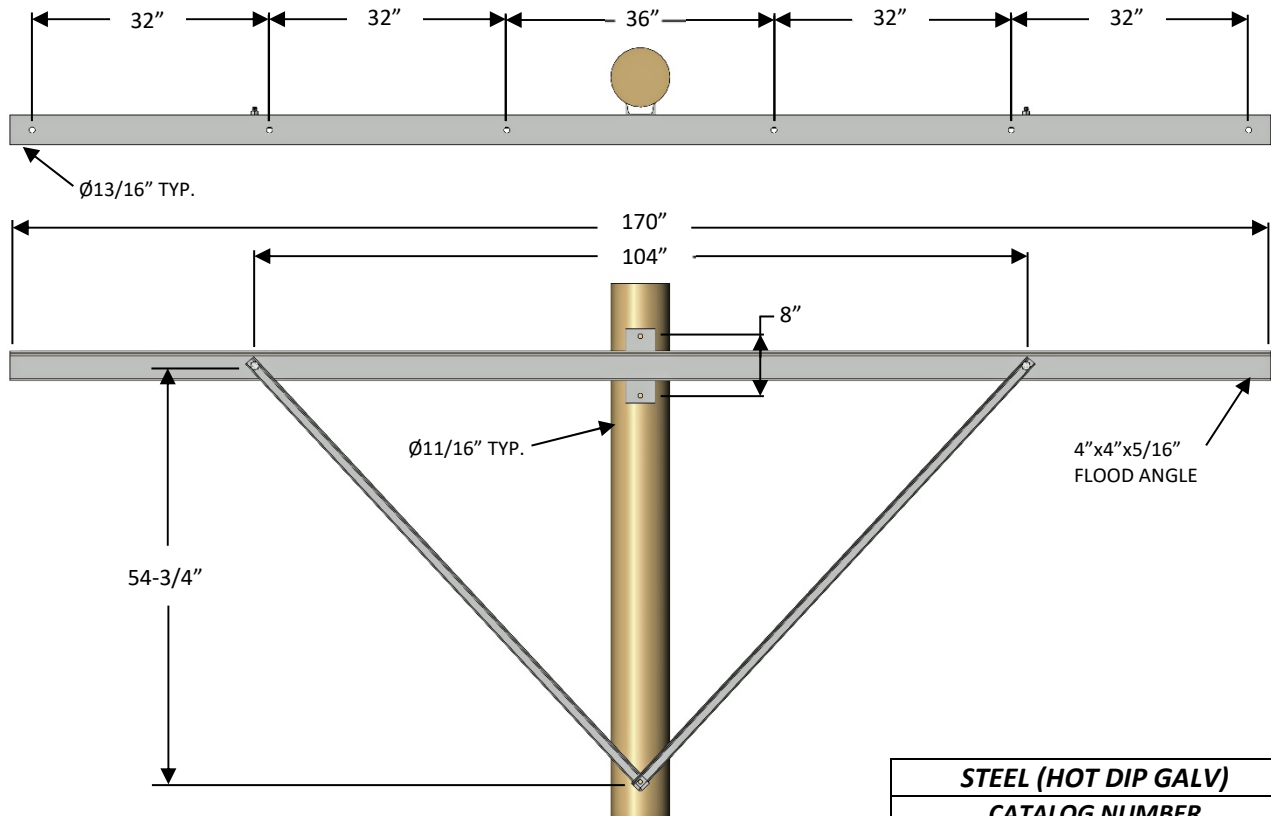
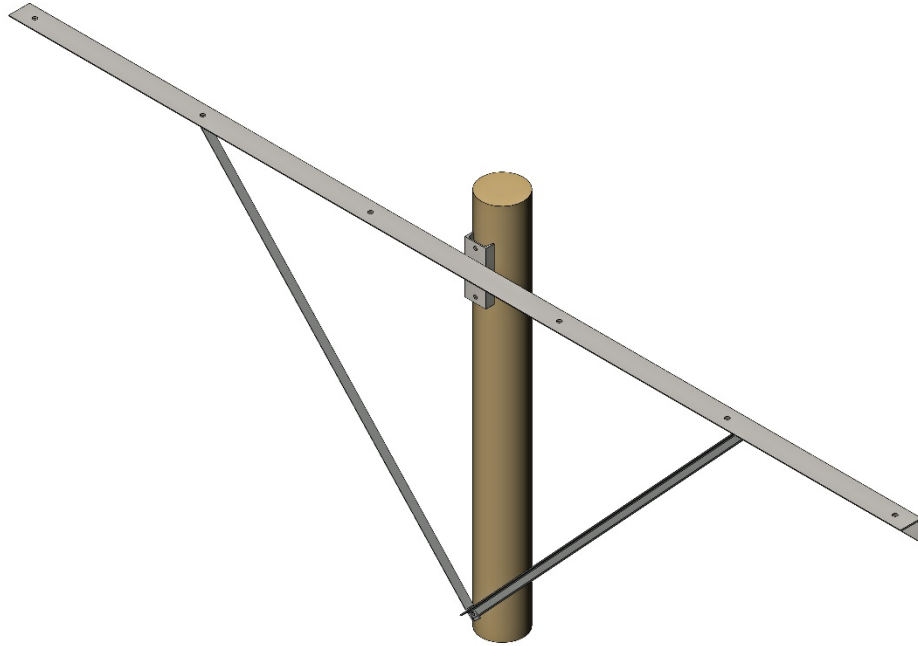
## MAST ARM STYLE: FIVE WAY BALL FIELD LIGHTING BRACKET POLE TYPE: WOOD



# SALCo

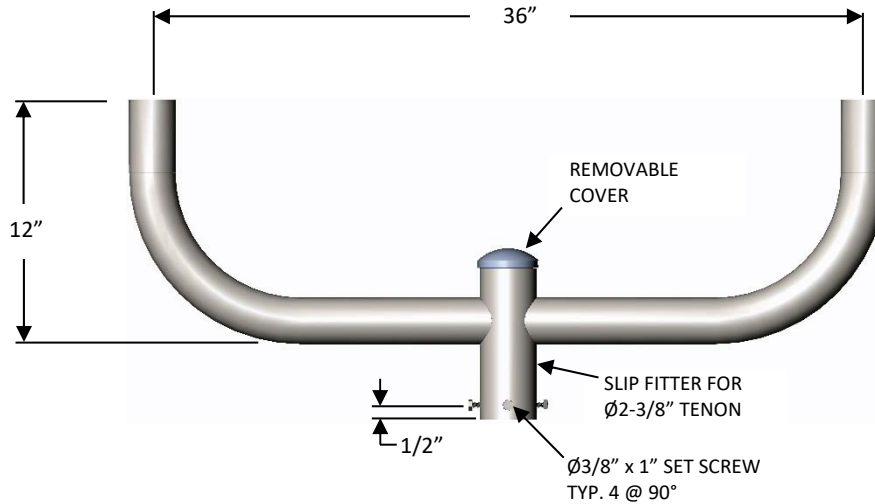
Street and Area Lighting Co.

## MAST ARM STYLE: SIX WAY BALL FIELD LIGHTING BRACKET POLE TYPE: WOOD



<b>STEEL (HOT DIP GALV)</b>
<b>CATALOG NUMBER</b>
DL-6F

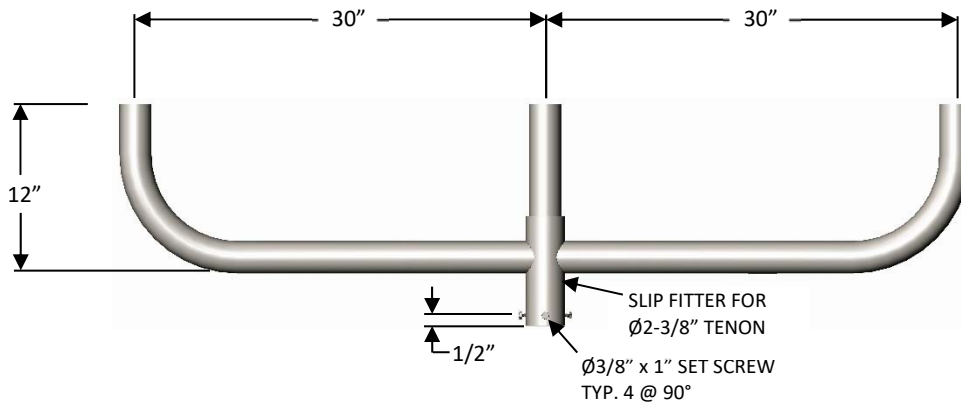
**MAST ARM STYLE: BULLHORN BRACKET – POLE TOP**  
**POLE TYPE: STEEL w/ TENON**



STEEL (HOT DIP GALV)		ALUMINUM	
CATALOG NUMBER	PIPE OD (in)	CATALOG NUMBER	PIPE OD (in)
TMBH2-2-S	2	TMBH2-2-A	2

NOTES:

- 1) 2" IPS PIPE = 2.38" OD
- 2) TO SPECIFY PAINTED COATING, ADD SUFFIX TO CATALOG NUMBER. "BLK" = BLACK / "BRZ" = BRONZE

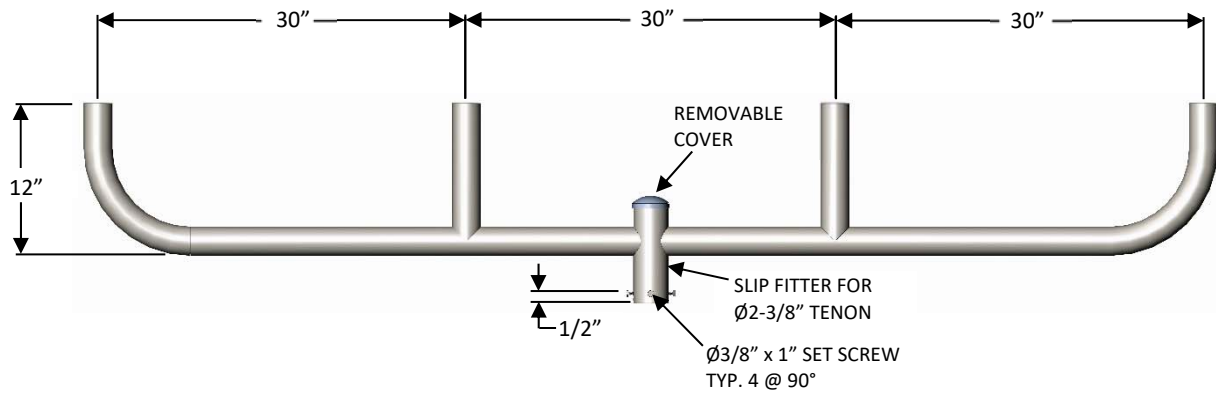


STEEL (HOT DIP GALV)		ALUMINUM	
CATALOG NUMBER	PIPE OD (in)	CATALOG NUMBER	PIPE OD (in)
TMBH3-2-S	2	TMBH3-2-A	2

NOTES:

- 1) 2" IPS PIPE = 2.38" OD
- 2) TO SPECIFY PAINTED COATING, ADD SUFFIX TO CATALOG NUMBER. "BLK" = BLACK / "BRZ" = BRONZE

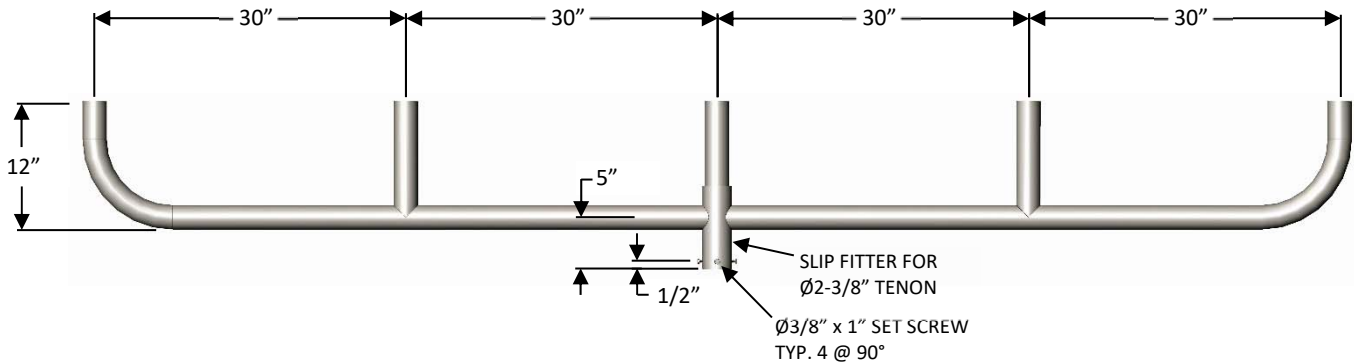
**MAST ARM STYLE: BULLHORN BRACKET – POLE TOP**  
**POLE TYPE: STEEL w/ TENON**



STEEL (HOT DIP GALV)		ALUMINUM	
CATALOG NUMBER	PIPE OD (in)	CATALOG NUMBER	PIPE OD (in)
TMBH4-2-S	2	TMBH4-2-A	2

NOTES:

- 1) 2" IPS PIPE = 2.38" OD
- 2) TO SPECIFY PAINTED COATING, ADD SUFFIX TO CATALOG NUMBER. "BLK" = BLACK / "BRZ" = BRONZE

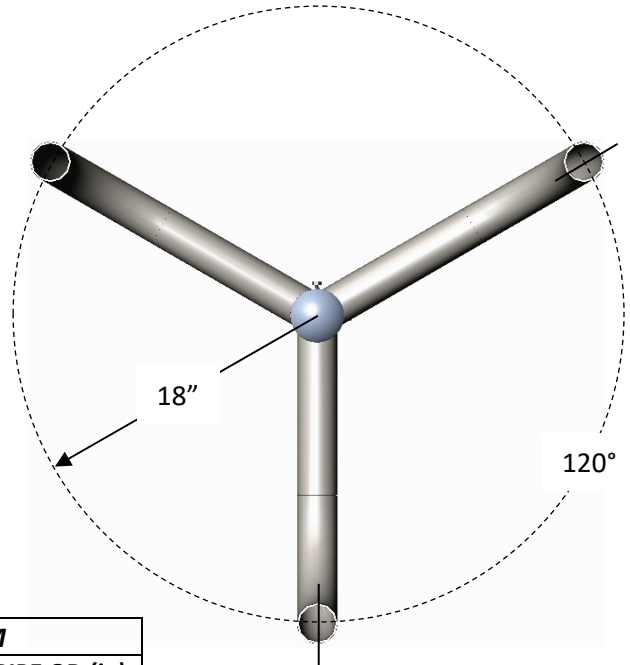
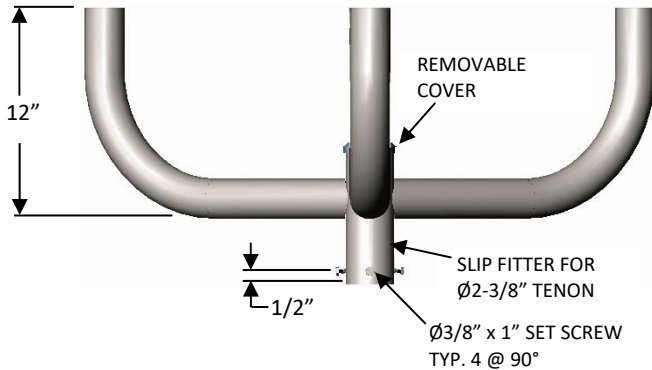


STEEL (HOT DIP GALV)		ALUMINUM	
CATALOG NUMBER	PIPE OD (in)	CATALOG NUMBER	PIPE OD (in)
TMBH5-2-S	2	TMBH5-2-A	2

NOTES:

- 1) 2" IPS PIPE = 2.38" OD
- 2) TO SPECIFY PAINTED COATING, ADD SUFFIX TO CATALOG NUMBER. "BLK" = BLACK / "BRZ" = BRONZE

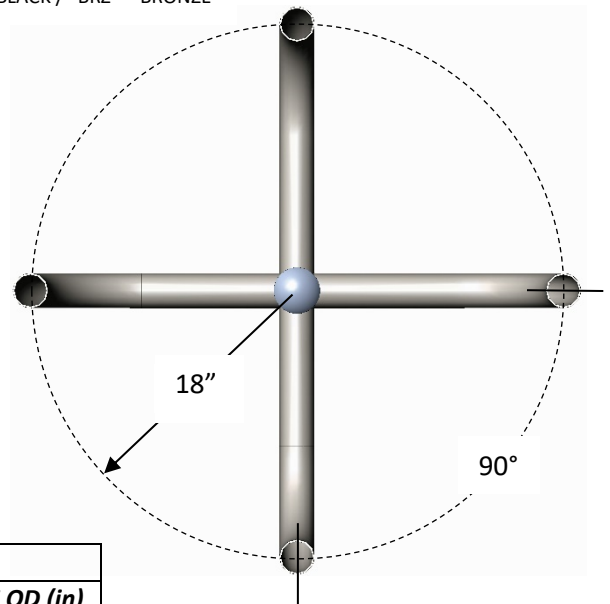
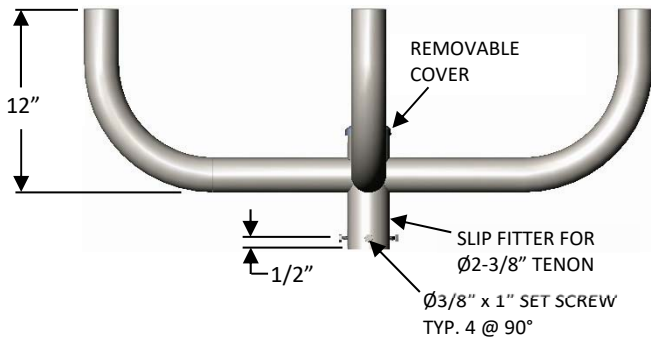
**MAST ARM STYLE: BULLHORN BRACKET – POLE TOP**  
**POLE TYPE: STEEL w/ TENON**



STEEL (HOT DIP GALV)		ALUMINUM	
CATALOG NUMBER	PIPE OD (in)	CATALOG NUMBER	PIPE OD (in)
TMBH3-120-2-S	2	TMBH3-120-2-A	2

NOTES:

- 1) 2" IPS PIPE = 2.38" OD
- 2) TO SPECIFY PAINTED COATING, ADD SUFFIX TO CATALOG NUMBER. "BLK" = BLACK / "BRZ" = BRONZE

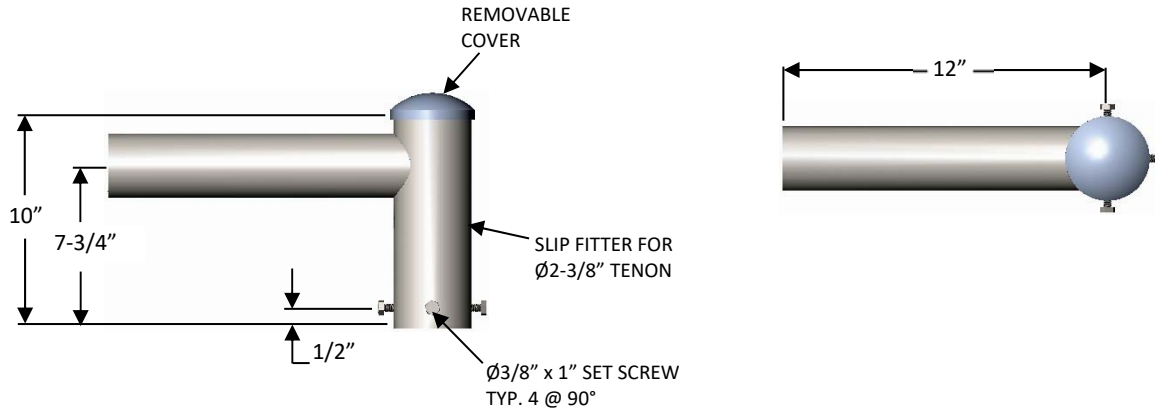


STEEL (HOT DIP GALV)		ALUMINUM	
CATALOG NUMBER	PIPE OD (in)	CATALOG NUMBER	PIPE OD (in)
TMBH4-90-2-S	2	TMBH4-90-2-A	2

NOTES:

- 1) 2" IPS PIPE = 2.38" OD
- 2) TO SPECIFY PAINTED COATING, ADD SUFFIX TO CATALOG NUMBER. "BLK" = BLACK / "BRZ" = BRONZE

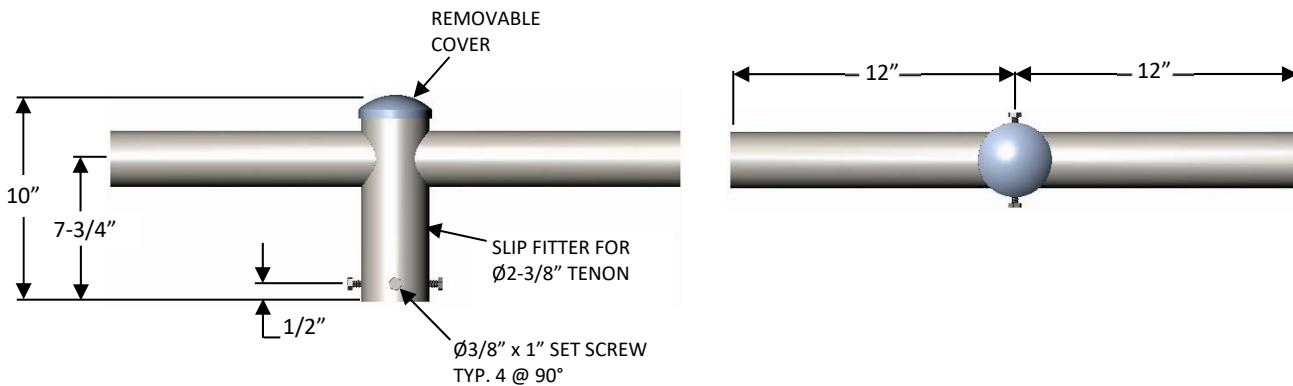
**MAST ARM STYLE: STUB ARM BRACKET – POLE TOP**  
**POLE TYPE: STEEL w/ TENON**



STEEL (HOT DIP GALV)		ALUMINUM	
CATALOG NUMBER	PIPE OD (in)	CATALOG NUMBER	PIPE OD (in)
TM1S-2-S	2	TM1S-2-A	2

NOTES:

- 1) 2" IPS PIPE = 2.38" OD
- 2) TO SPECIFY PAINTED COATING, ADD SUFFIX TO CATALOG NUMBER. "BLK" = BLACK / "BRZ" = BRONZE

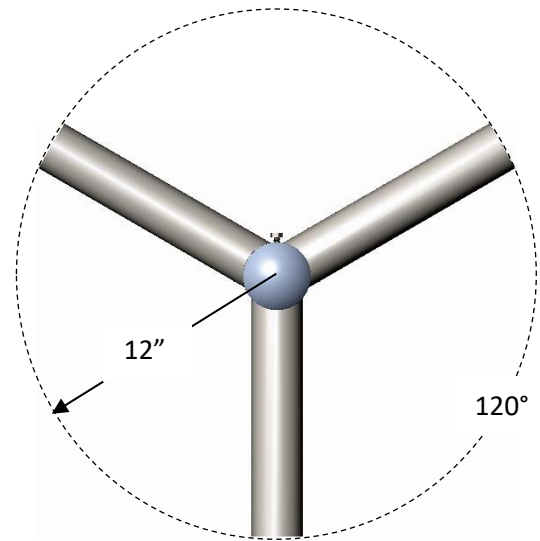
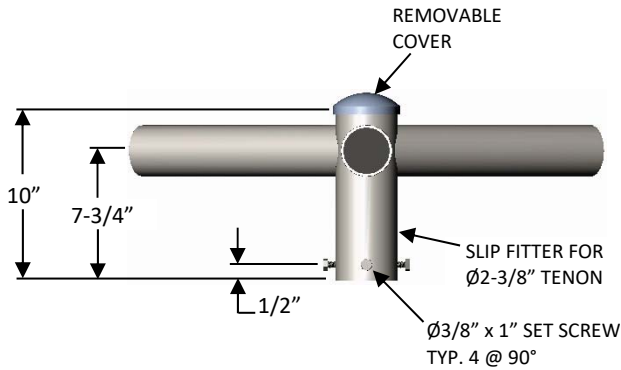


STEEL (HOT DIP GALV)		ALUMINUM	
CATALOG NUMBER	PIPE OD (in)	CATALOG NUMBER	PIPE OD (in)
TM2S-2-S	2	TM2S-2-A	2

NOTES:

- 1) 2" IPS PIPE = 2.38" OD
- 2) TO SPECIFY PAINTED COATING, ADD SUFFIX TO CATALOG NUMBER. "BLK" = BLACK / "BRZ" = BRONZE

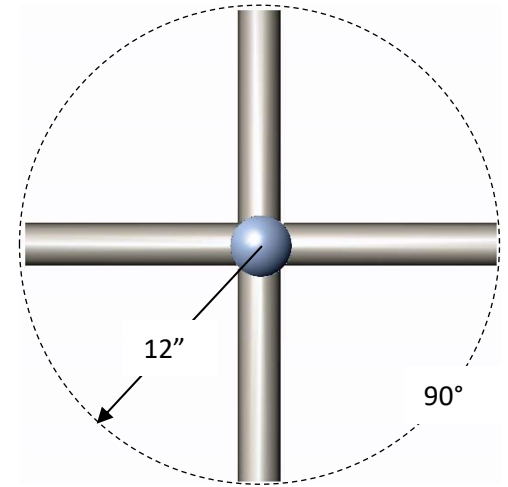
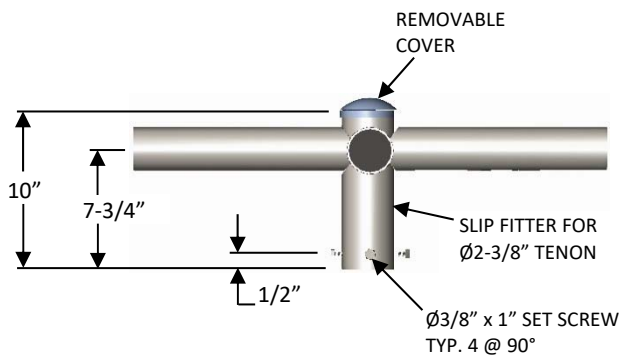
**MAST ARM STYLE: STUB ARM BRACKET – POLE TOP**  
**POLE TYPE: STEEL w/ TENON**



STEEL (HOT DIP GALV)		ALUMINUM	
CATALOG NUMBER	PIPE OD (in)	CATALOG NUMBER	PIPE OD (in)
TM3S-2-S	2	TM3S-2-A	2

NOTES:

- 1) 2" IPS PIPE = 2.38" OD
- 2) TO SPECIFY PAINTED COATING, ADD SUFFIX TO CATALOG NUMBER. "BLK" = BLACK / "BRZ" = BRONZE



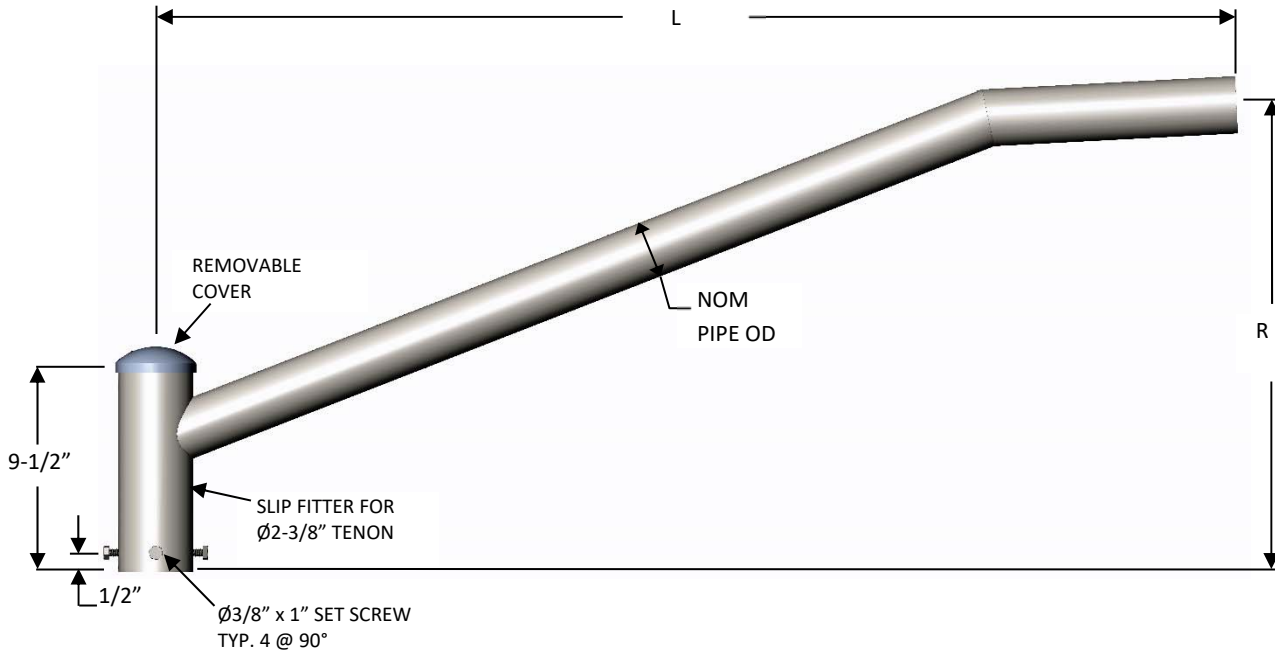
STEEL (HOT DIP GALV)		ALUMINUM	
CATALOG NUMBER	PIPE OD (in)	CATALOG NUMBER	PIPE OD (in)
TM4S-2-S	2	TM4S-2-A	2

NOTES:

- 1) 2" IPS PIPE = 2.38" OD
- 2) TO SPECIFY PAINTED COATING, ADD SUFFIX TO CATALOG NUMBER. "BLK" = BLACK / "BRZ" = BRONZE



**MAST ARM STYLE: SINGLE CATILEVER BRACKET – POLE TOP**  
**POLE TYPE: STEEL w/ TENON**



STEEL (HOT DIP GALV)				ALUMINUM			
CATALOG NUMBER	PIPE OD (in)	NOMINAL L (ft)	RISE (in)	CATALOG NUMBER	PIPE OD (in)	NOMINAL L (ft)	RISE (in)
TM-2-4-S	2	4	19	TM-2-4-A	2	4	19
TM-2-6-S	2	6	24	TM-2-6-A	1.25	6	24

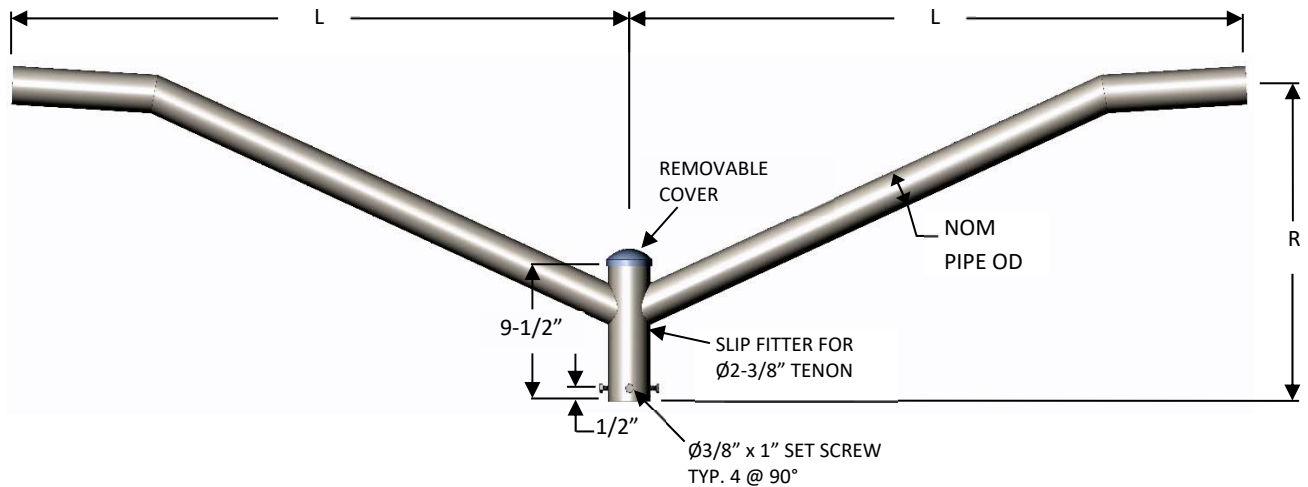
NOTES:

- 1) 2" IPS PIPE = 2.38" OD
- 2) TO SPECIFY PAINTED COATING, ADD SUFFIX TO CATALOG NUMBER. "BLK" = BLACK / "BRZ" = BRONZE

# SALCo

Street and Area Lighting Co.

**MAST ARM STYLE: DOUBLE CATILEVER BRACKET – POLE TOP**  
**POLE TYPE: STEEL w/ TENON**



STEEL (HOT DIP GALV)				ALUMINUM			
CATALOG NUMBER	PIPE OD (in)	NOMINAL L (ft)	RISE (in)	CATALOG NUMBER	PIPE OD (in)	NOMINAL L (ft)	RISE (in)
TM2-2-4-S	2	4	19	TM2-2-4-A	2	4	19
TM2-2-6-S	2	6	24	TM2-2-6-A	1.25	6	24

NOTES:

- 1) 2" IPS PIPE = 2.38" OD
- 2) TO SPECIFY PAINTED COATING, ADD SUFFIX TO CATALOG NUMBER. "BLK" = BLACK / "BRZ" = BRONZE